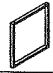

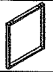






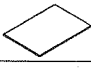



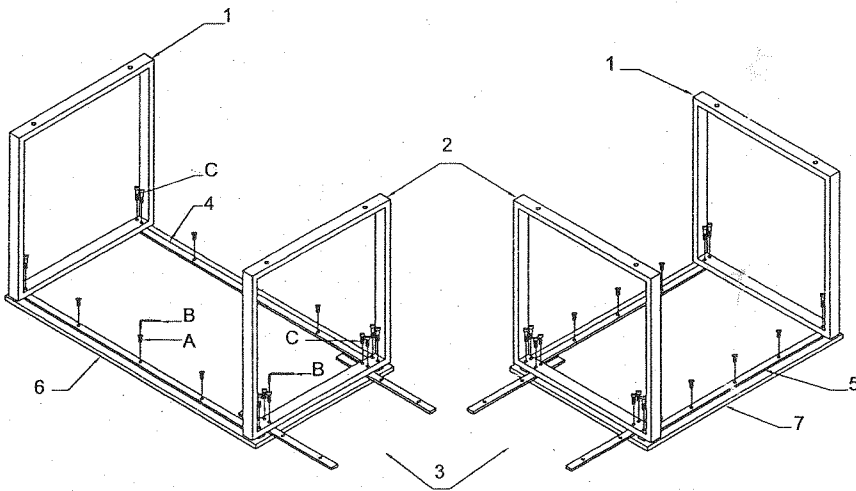
Assembly Instruction

MODEL:CP-801A,B,C

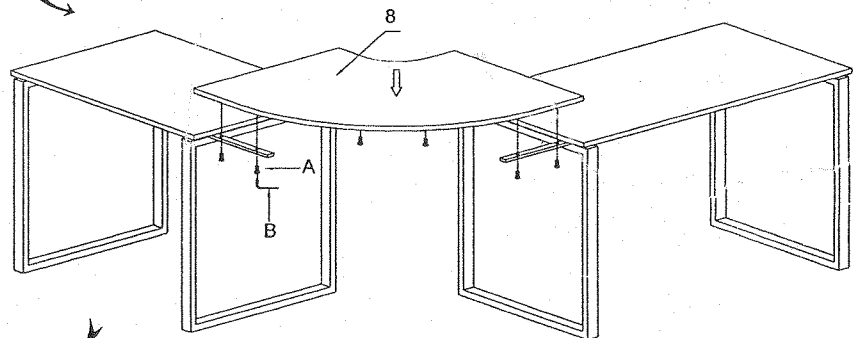
BEFORE YOU START CHECK ALL THE COMPONENTS

PRODUTT COMPONENTS				HARDWARE LIST			
1		700x728x50	*2	A		M8X20	*26
2		700x728x50	*2	B		5mm	*1
3		30x10x492	*4	C		M8X35	*24
4		30x10x1295	*2				
5		30x10x995	*2				
6		1300x702x18	*1				
7		1000x702x18	*1				
8		1000x1000x18	*1				

STEP 1



STEP 2



FINISHED

