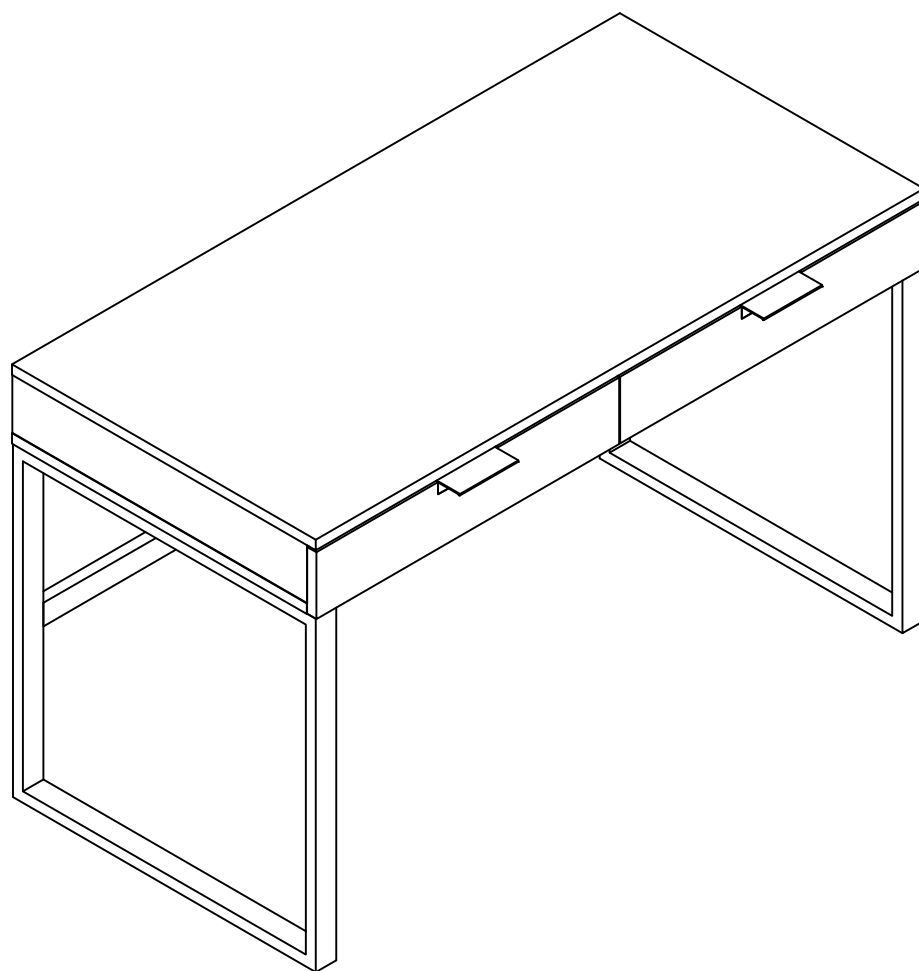
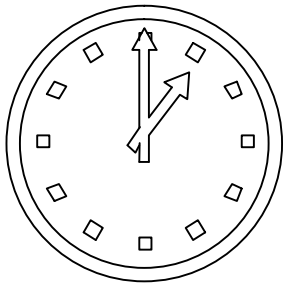


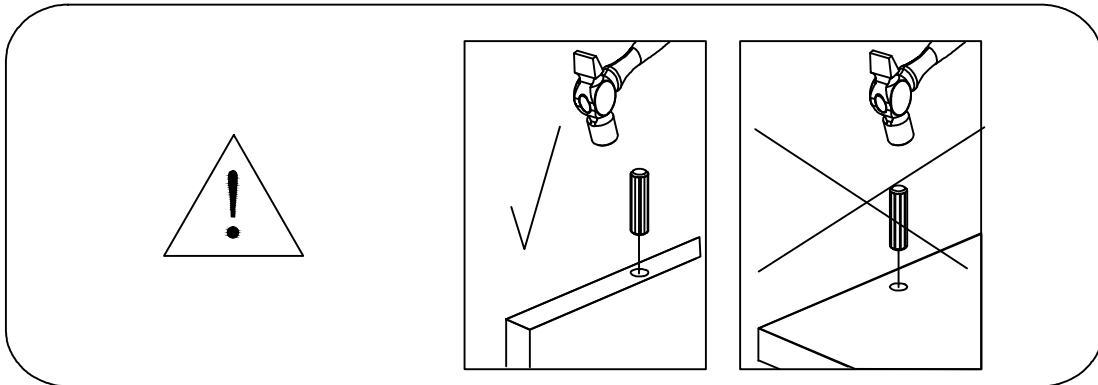
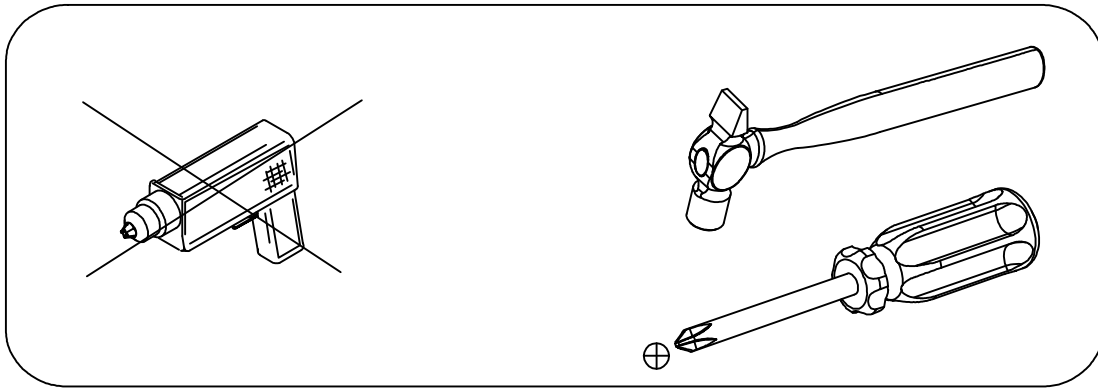
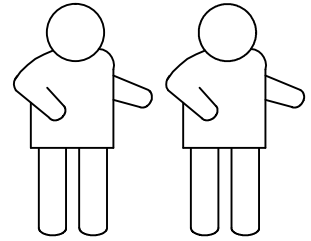
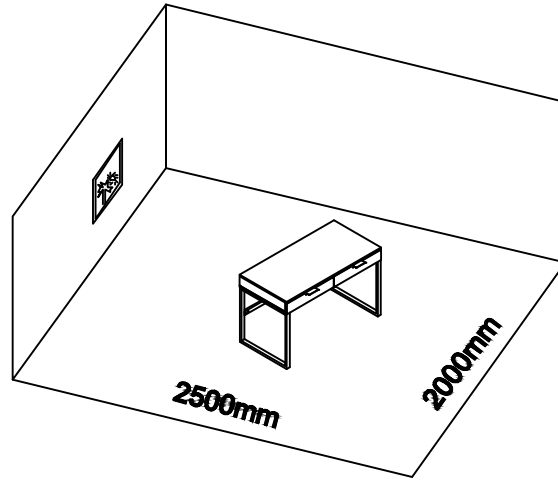
Assembly Instructions

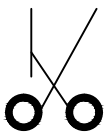
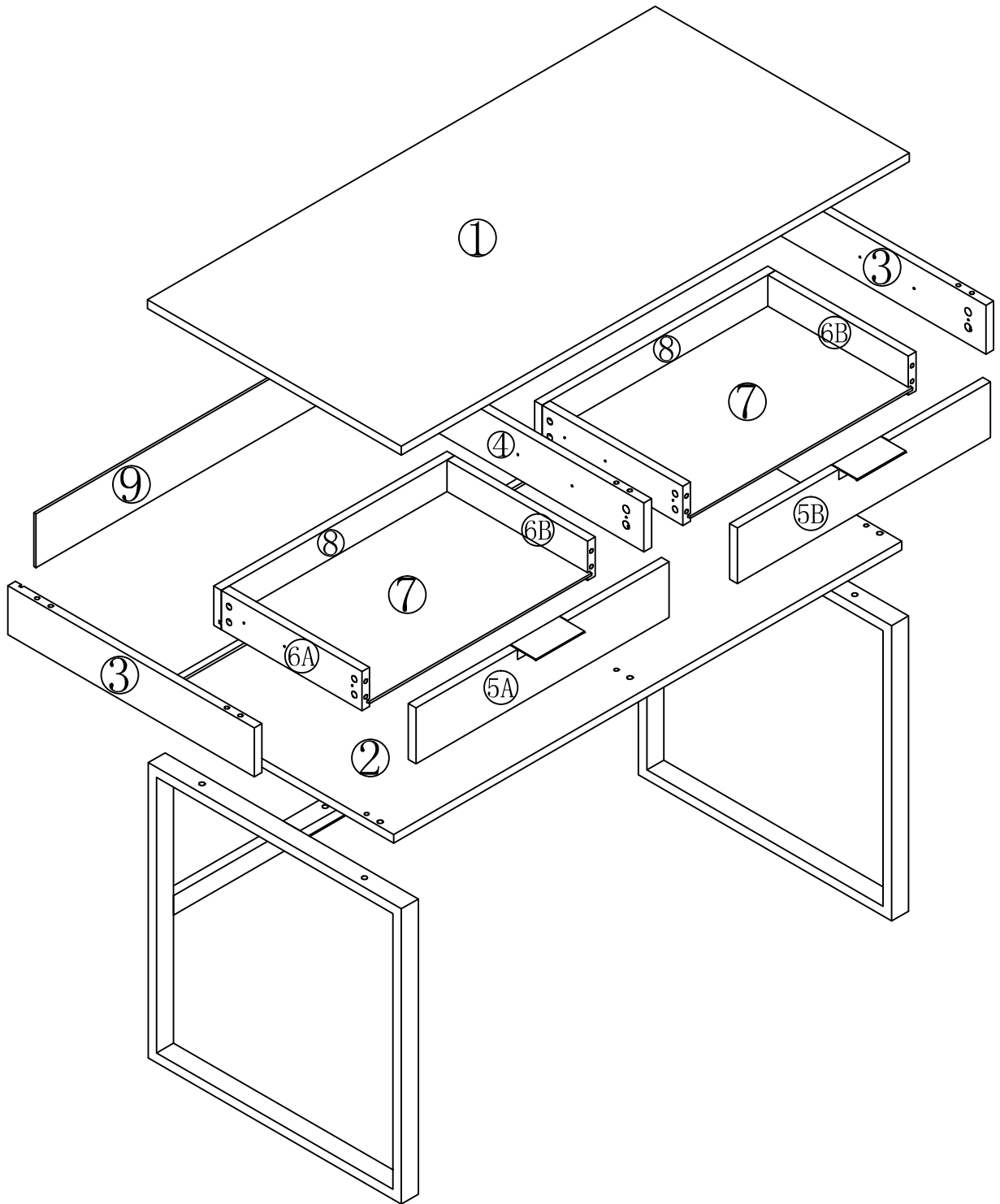
9980





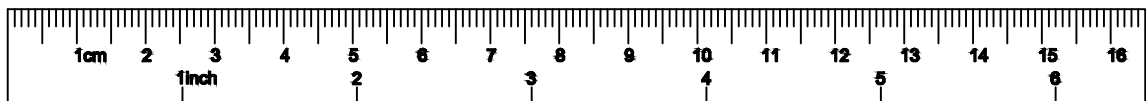
60 min









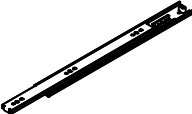













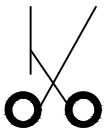
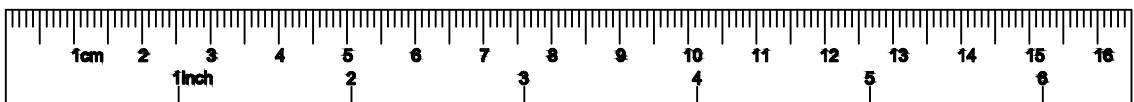
9980

1	1	1200x600x18MM
2	1	1200x582x18MM
3	2	582x100x18MM
4	1	562x100x18MM
5A	1	598x114x18MM
5B	1	598x114x18MM
6A	2	332x80x18MM
6B	2	332x80x18MM
7	2	525x342x5MM
8	2	551x80x18MM
9	1	1172x110x5MM





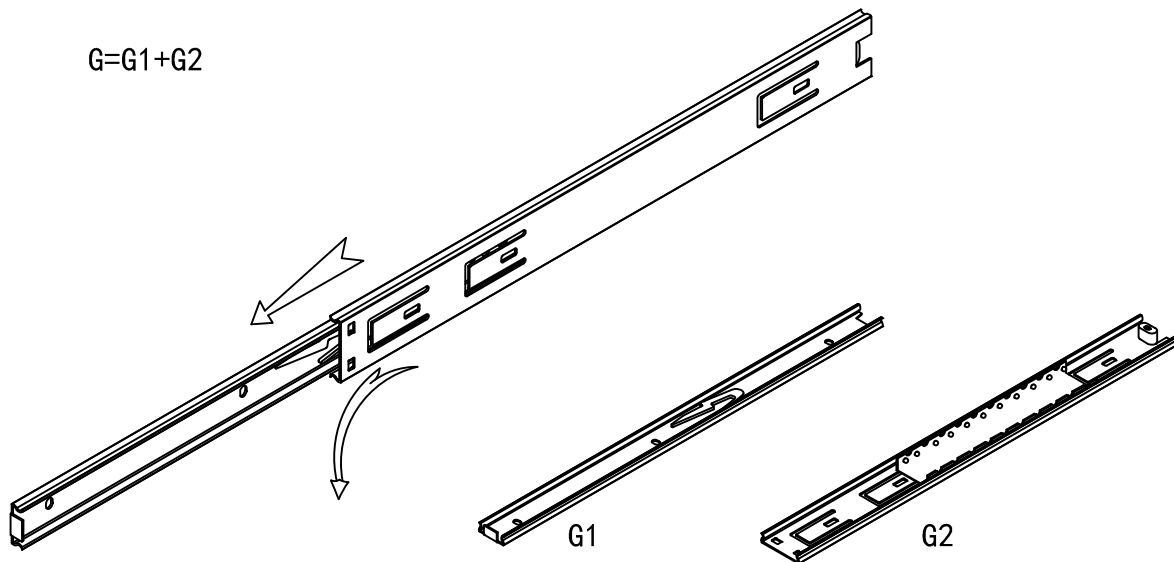
 φ 15x12      Ax12	 M6x35      Bx12	 φ 8x40      Cx12	 φ18xM8x1.2      Dx8
 M8x16      Ex8	 M6      Fx7	 350MM      Gx4	 M6x24      Hx16
 φ12x12      Ix16	 M3.5x15      Jx28	 598x604x40      Kx2	 1118x20x40      Lx1
 M5      Mx1	 Nx2	 1118x20x40      Ox1	 M6x35      PX7
 φ16xM6X1.2      QX7	 RX4		



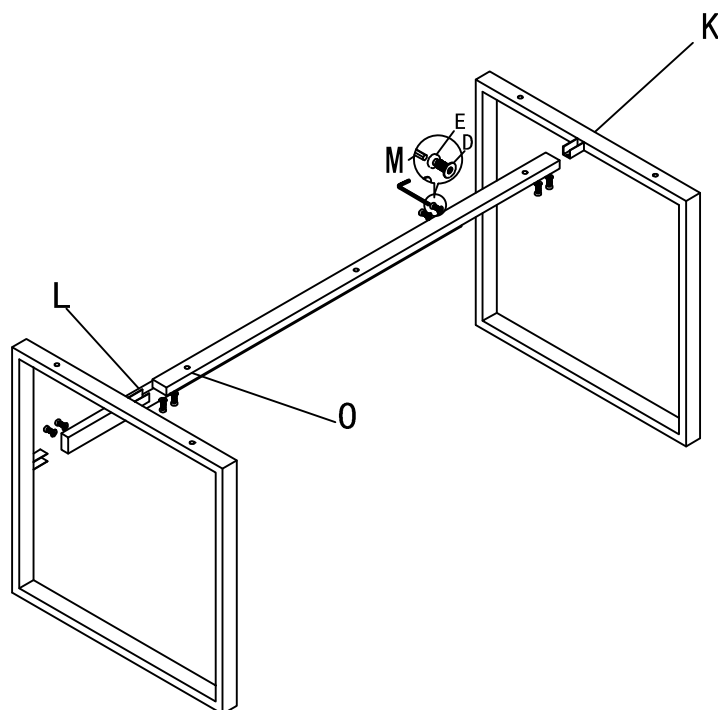
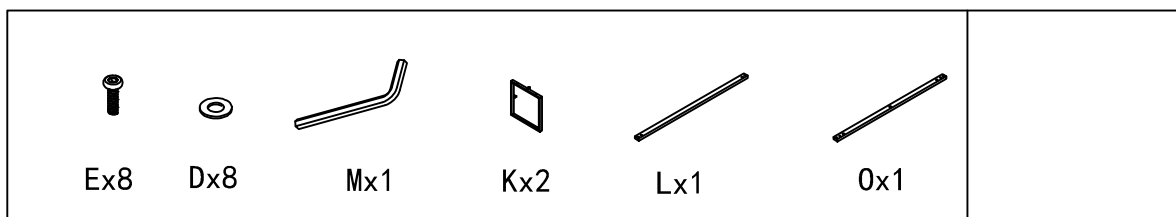
# 1



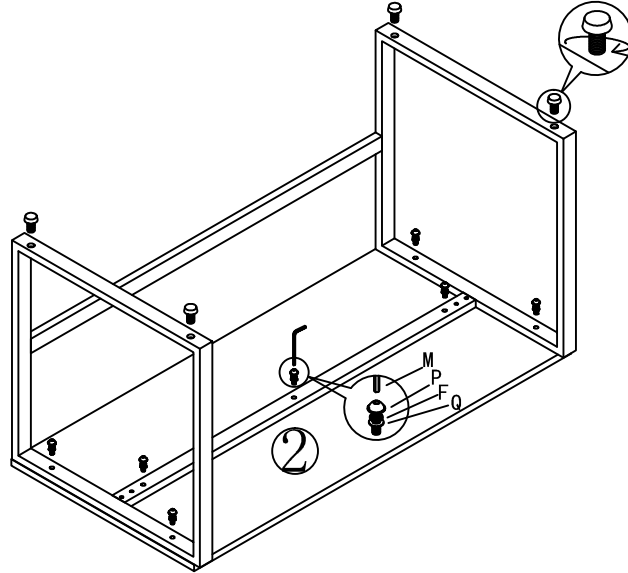
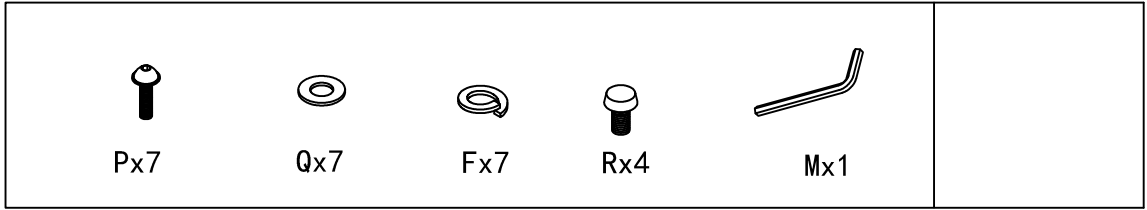
$G=G1+G2$



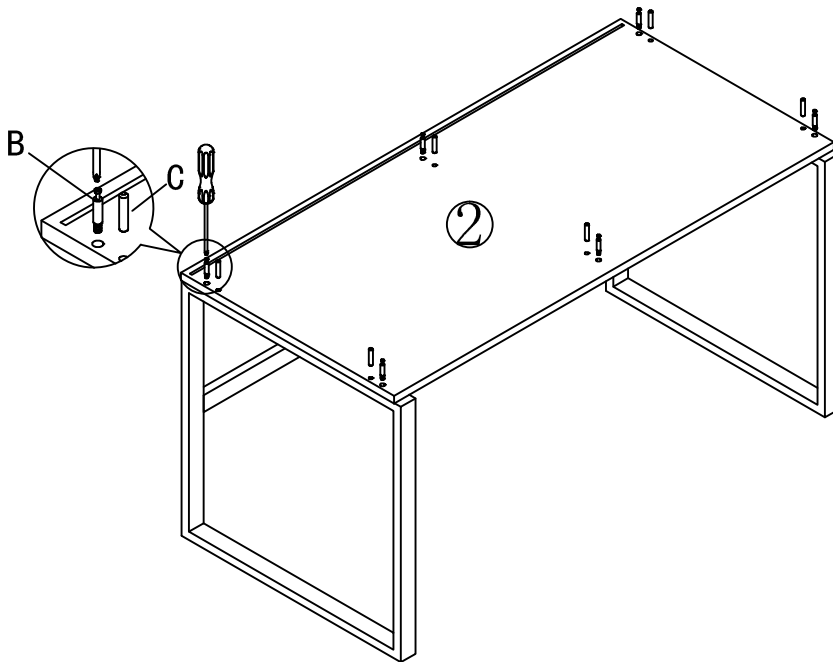
# 2



# 3



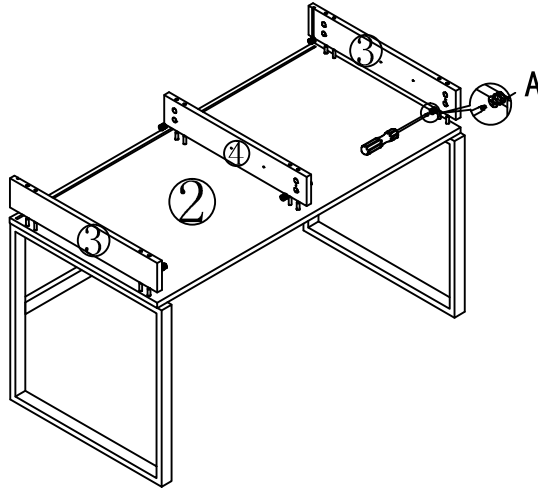
# 4



# 5



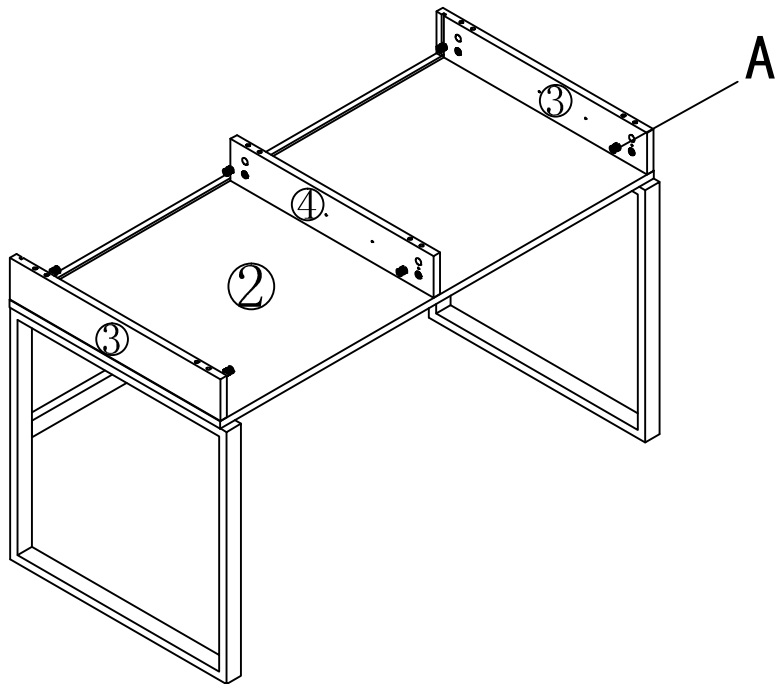
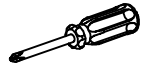
Ax6



# 6



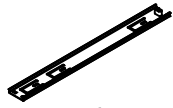
Ax6



8-13



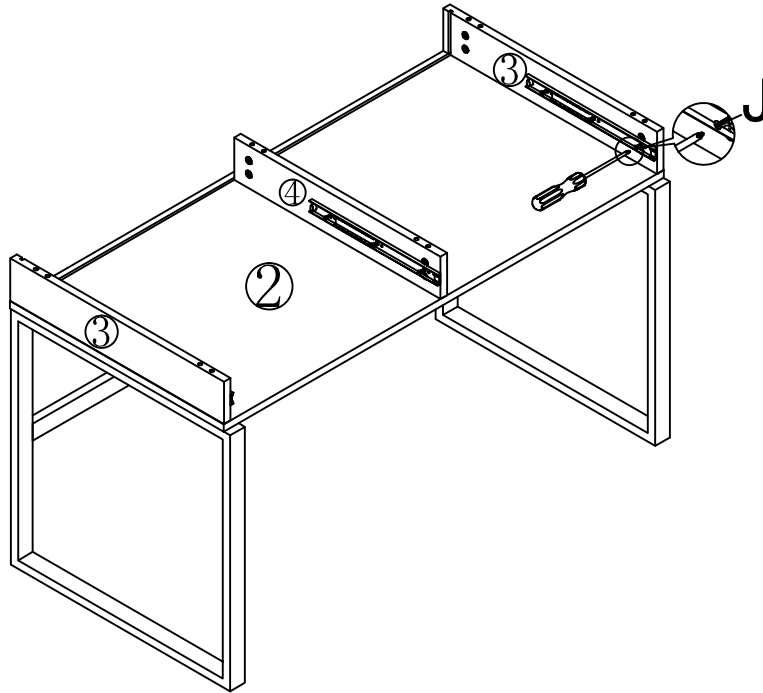
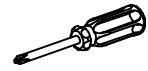
# 7



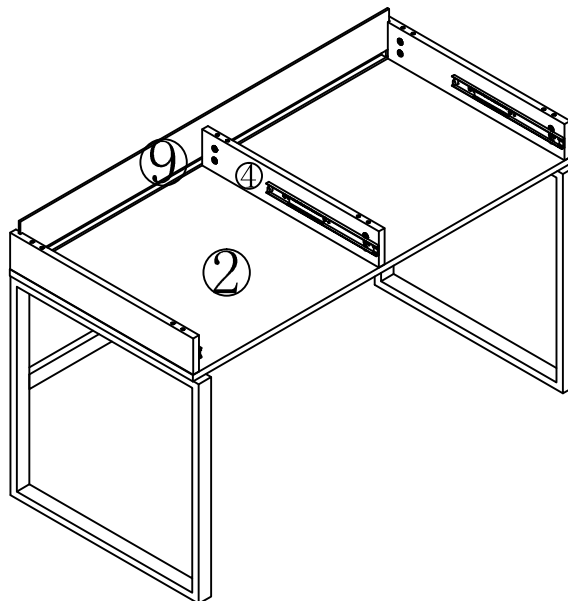
G2x4



Jx12

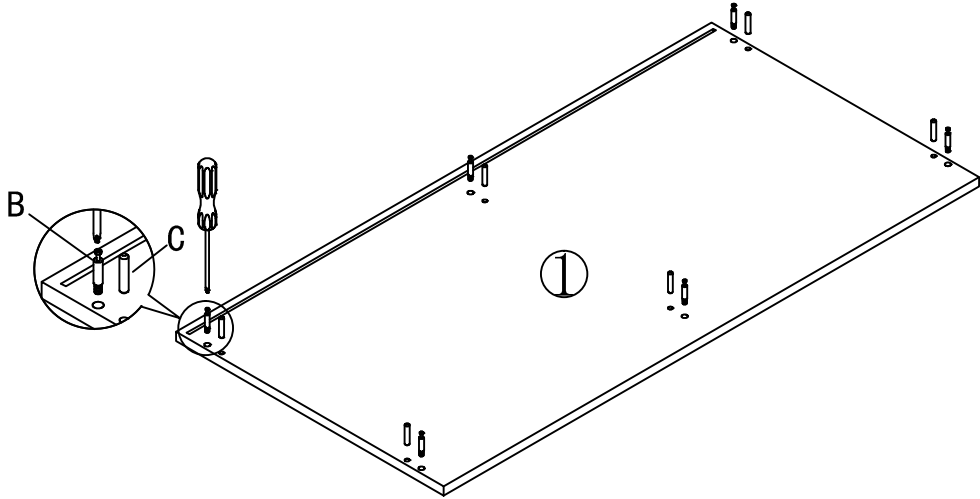


# 8

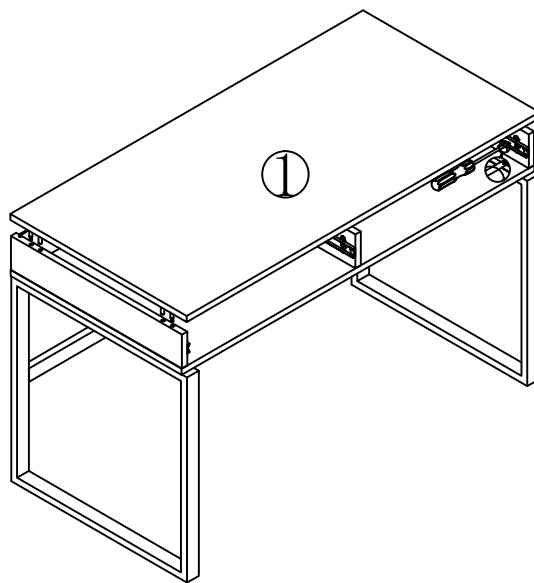


9-13

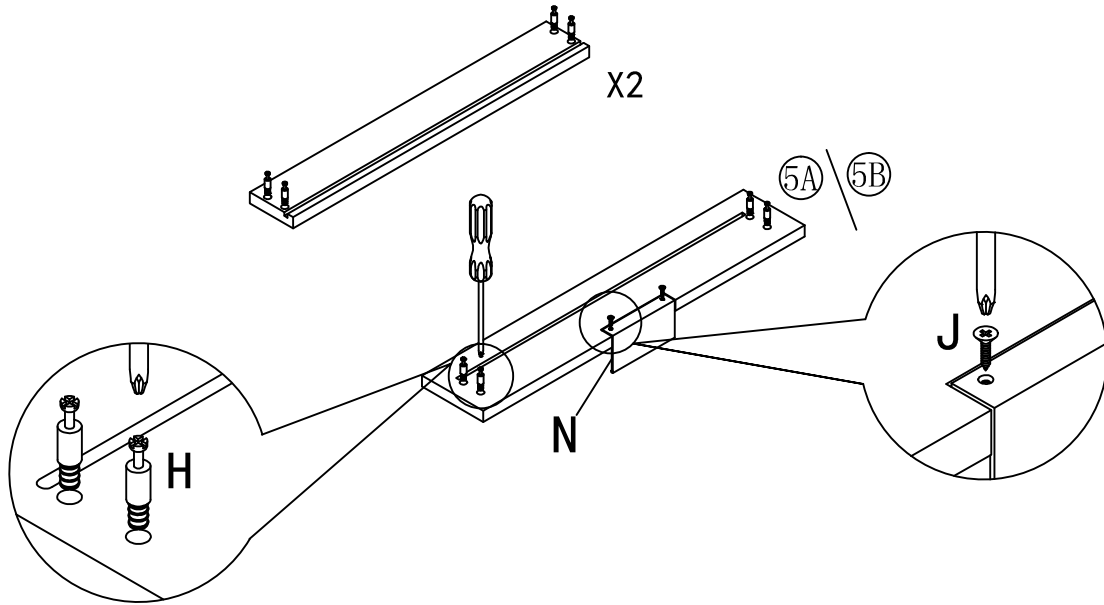
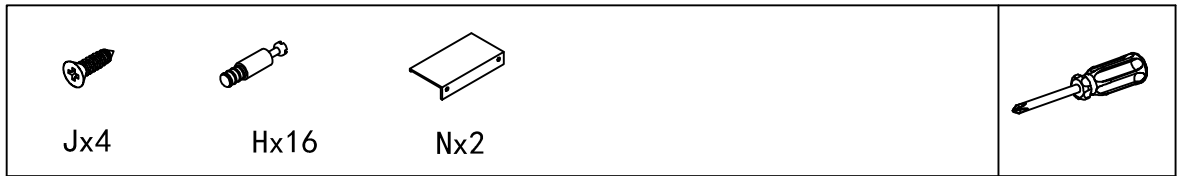
# 9



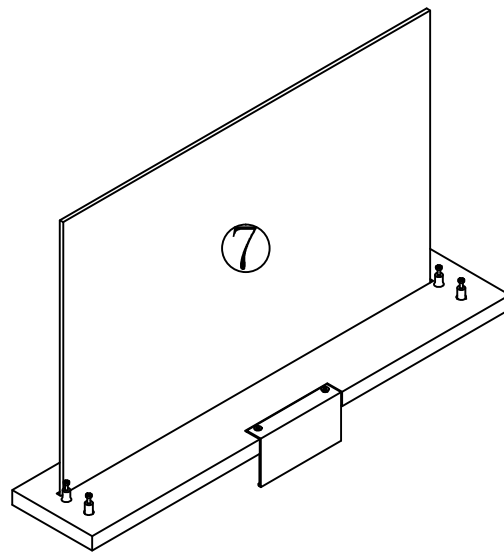
# 10



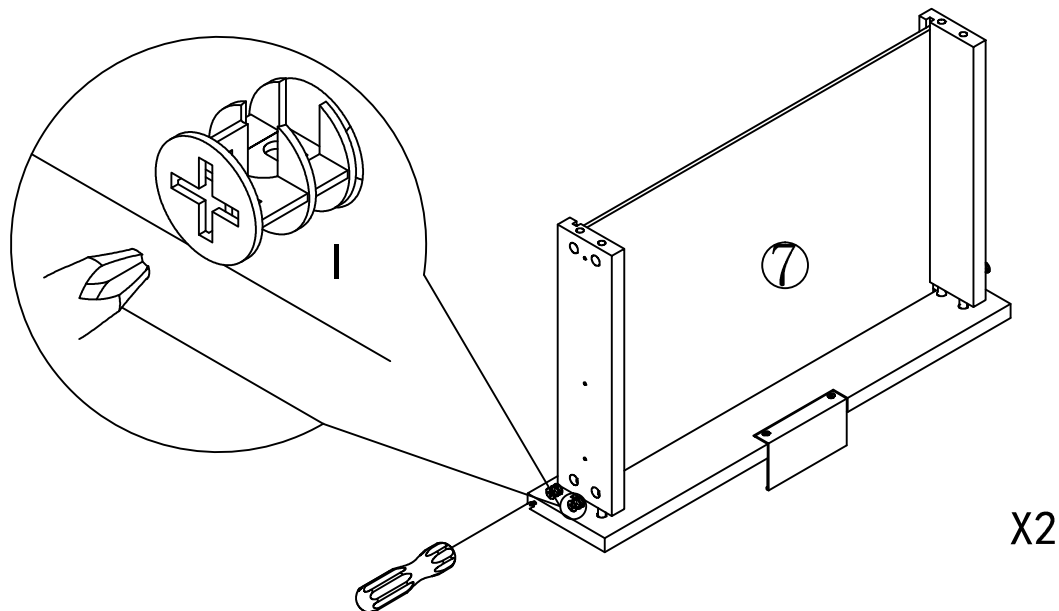
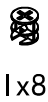
# 11



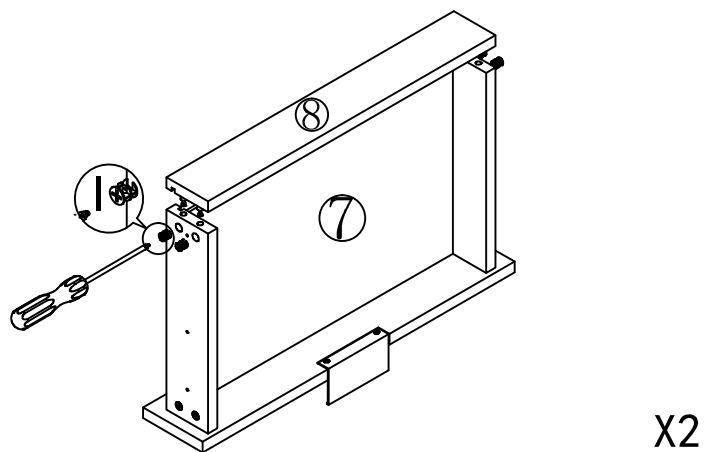
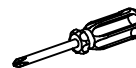
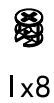
# 12



# 13

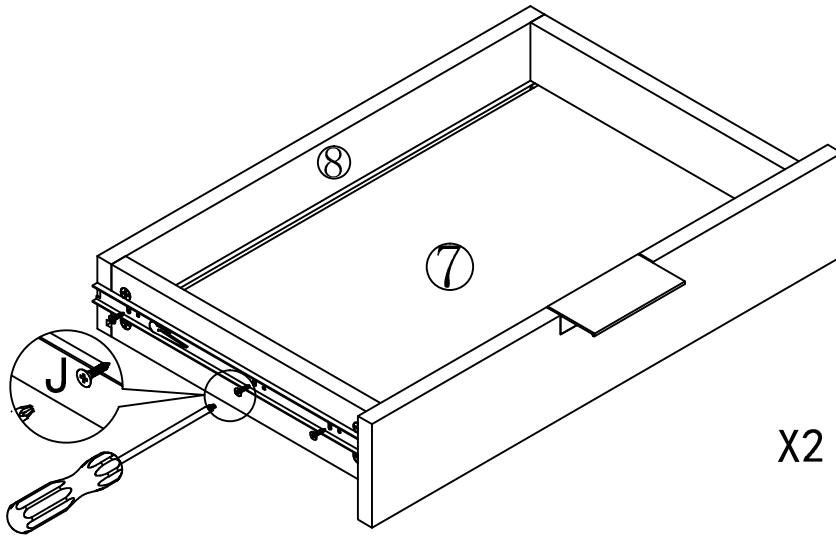


# 14



12-13

# 15



# 16

