








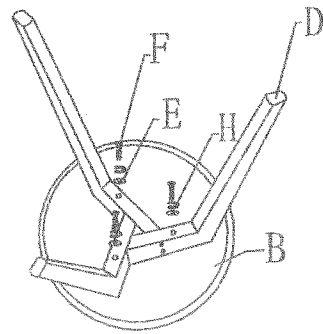
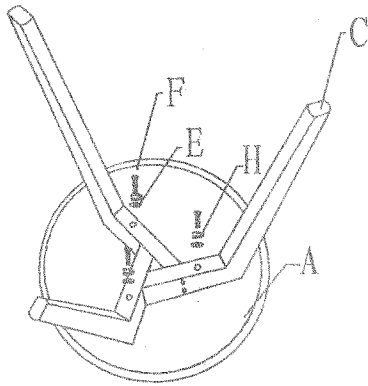


ASSEMBLY PICTURE

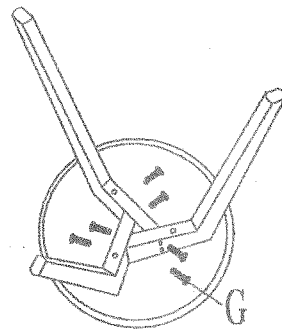
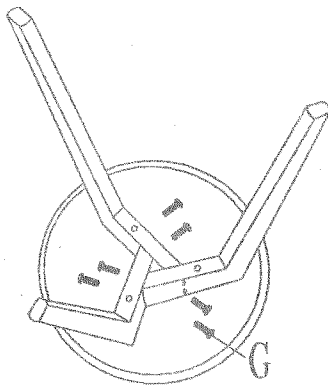
								
A*1	B*1	C*3	D*3	E*6	F*6	G*12	H*6	I*1

①



Do not tight any screw too much until all the screws have been connected.

②



③

