

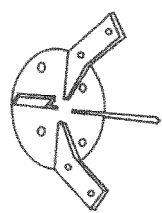








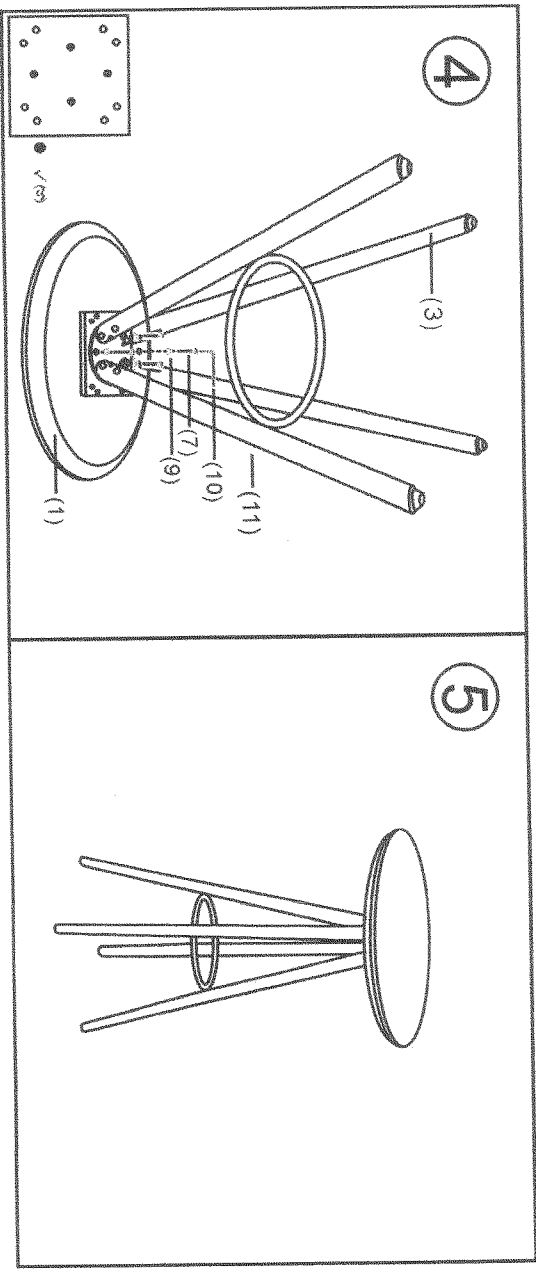
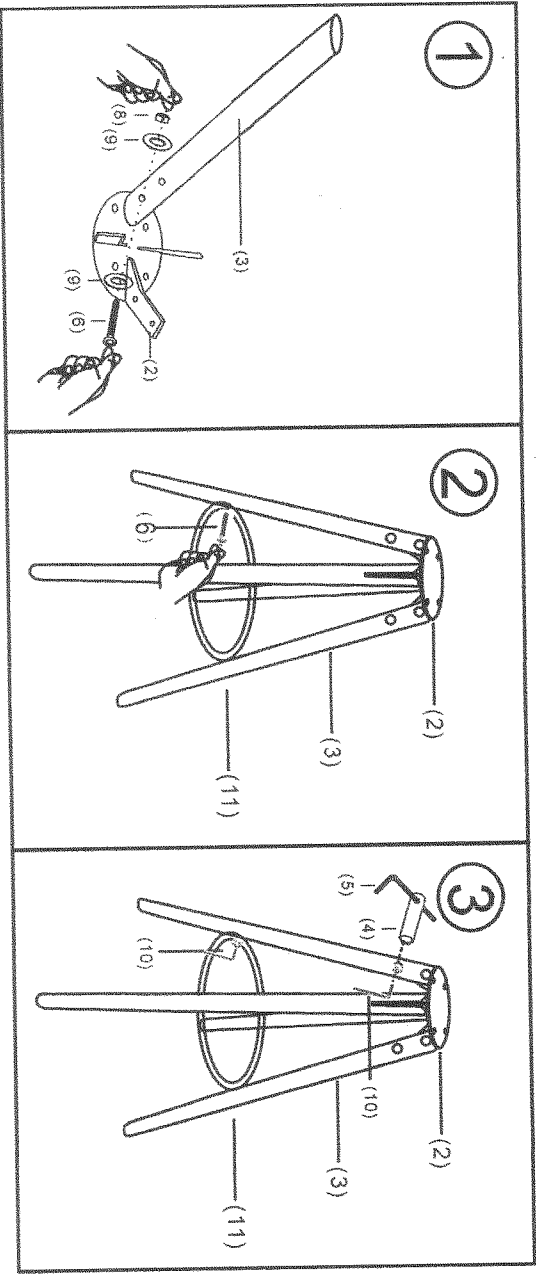


BAR TABLE ASSEMBLY INSTRUCTION

830

(1) X1		(6) X12 (M6 X 32MM)	
(2) X1		(7) X4 (M6 X 20MM)	
(3) X4		(8) X8 (M6 X 5MM)	
(4) X1 (40MM)		(9) X20 (M6 X 15 X 1.0MM)	
(5) X1 (5#)		(10) X1 (5#)	
		(11) X1	



ATTENTION:

Insert all 8 screws through the legs into the base of the Chair - DO NOT Tighten at this stage when all screws have been inserted, tighten Each one in turn using the allen key provided, taking care not to over tighten at any stage