

AX1



Bx1



Cx1



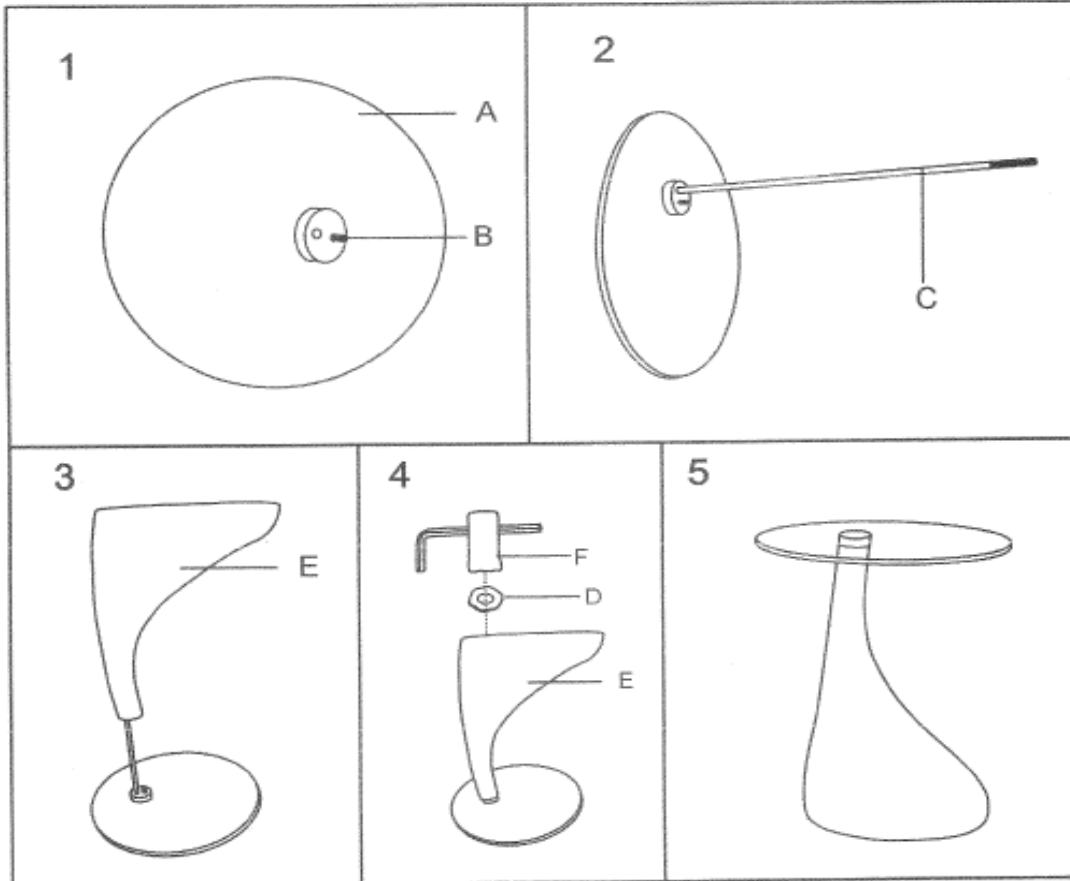
DX1



EX1



F X1



Article/Tell	Pieces/Anzahl	Article/Tell	Pieces/Anzahl
A	1		
B	1		
C	1		
D	1		
E	1		
F	1		
G	1		