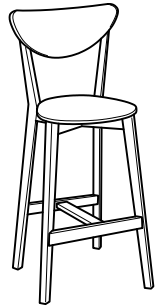


# ASSEMBLY INSTRUCTION

MODEL : DINA BAR STOOL



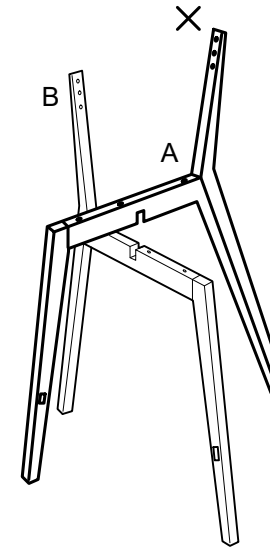
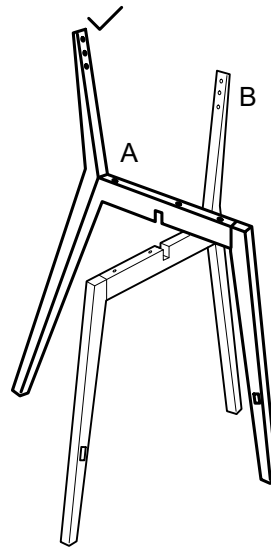
## PART LIST

NO	DESCRIPTION	QTY
A	FRAME LEG (A)	1 PC
B	FRAME LEG (B)	1 PC
C	SEAT	1 PC
D	BACKREST	1 PC
E	SEAT SUPPORT	4 PCS
F	FRONT STRETCHER	1 PC
G	BACK STRETCHER	1 PC
H	CENTER STRETCHER	1 PC

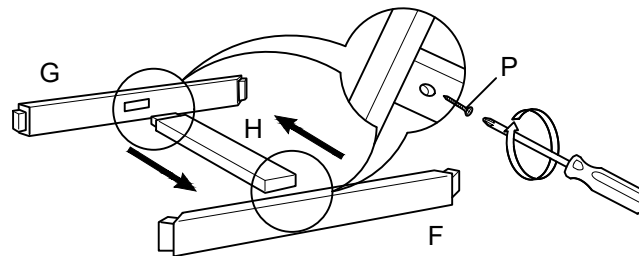
## HARDWARE LIST

NO	DESCRIPTION	QTY
I	JCBC M6 x 25MM	4 PCS
J	JCBC M6 x 50MM	6 PCS
K	SPRING WASHER M6	10 PCS
K	FLAT WASHER M6	10 PCS
M	WOOD DOWEL	2 PCS
N	ALLEN KEY M4 x 110MM	1 PC
O	CSK M4 x 25MM	8 PCS
P	CSK M4 x 32MM	8 PCS
Q	WOOD BUTTON	4 PCS

## STEP 1

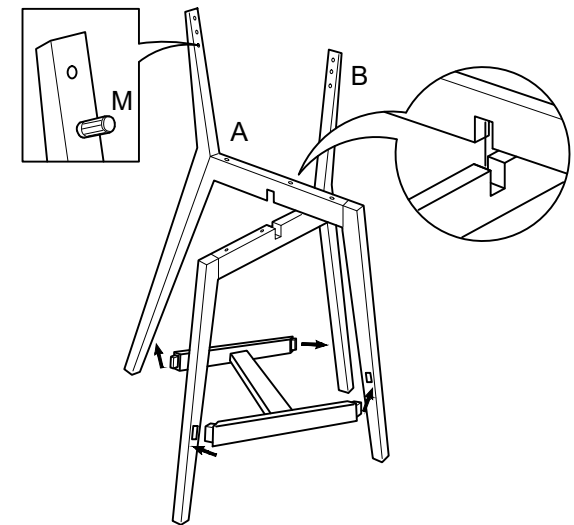


## STEP 2

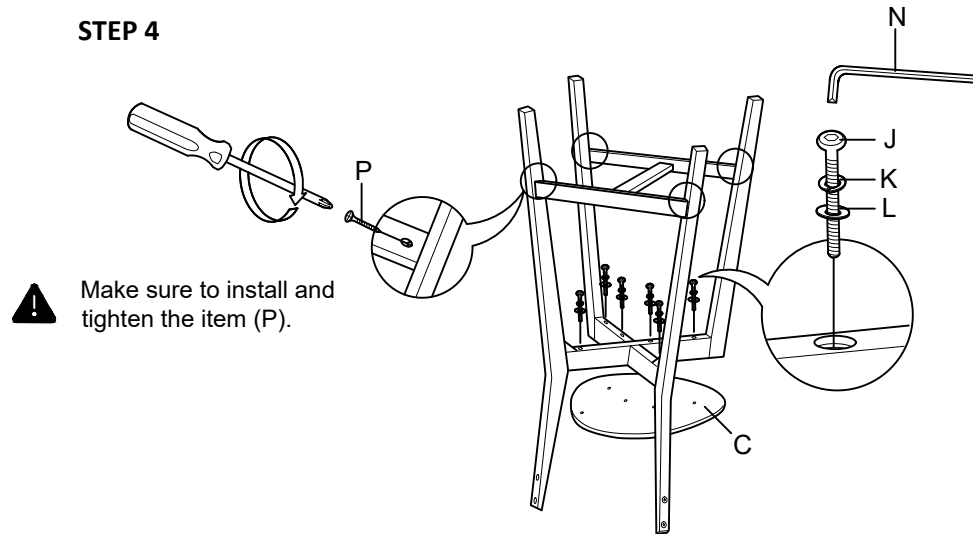


Do not over tighten the hardware.

## STEP 3

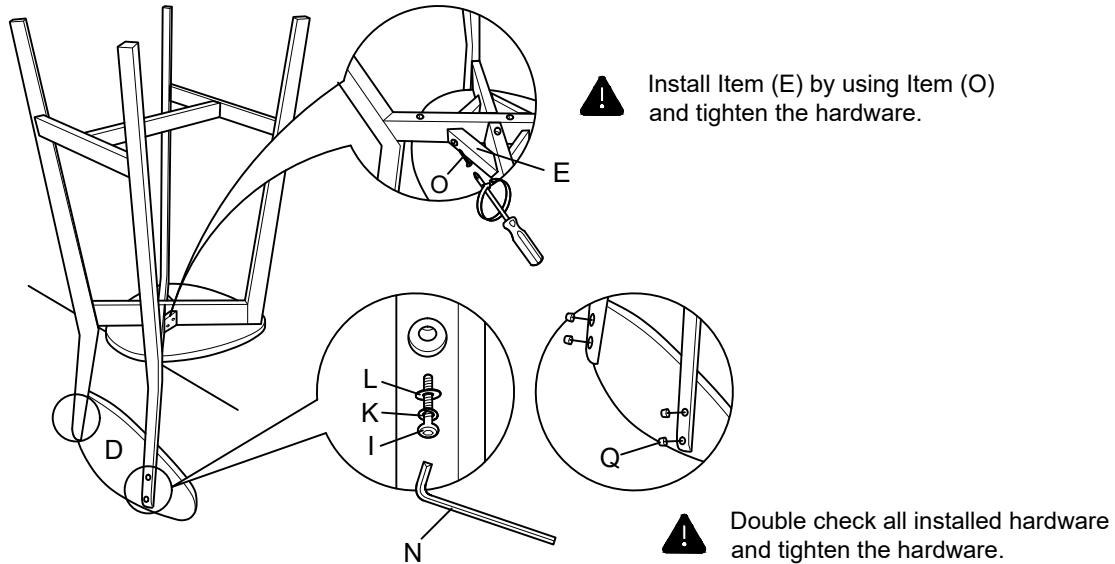


#### STEP 4



⚠ Make sure to install and tighten the item (P).

#### STEP 5



⚠ Install Item (E) by using Item (O) and tighten the hardware.

⚠ Double check all installed hardware and tighten the hardware.

#### ASSEMBLY TIPS

Remove hardware from box and sort by size to check all hardware and parts are present before assembling. Follow instructions below in the proper sequence to ensure first, easy and correct assembly.

#### WARNING !!!

DO NOT FULLY TIGHTEN ALL BOLTS UNTIL ALL PARTS ARE IN PLACE FAILURE TO FOLLOW THIS INSTRUCTION MAY CAUSE THE BOLTS TO BE MISALIGNED

