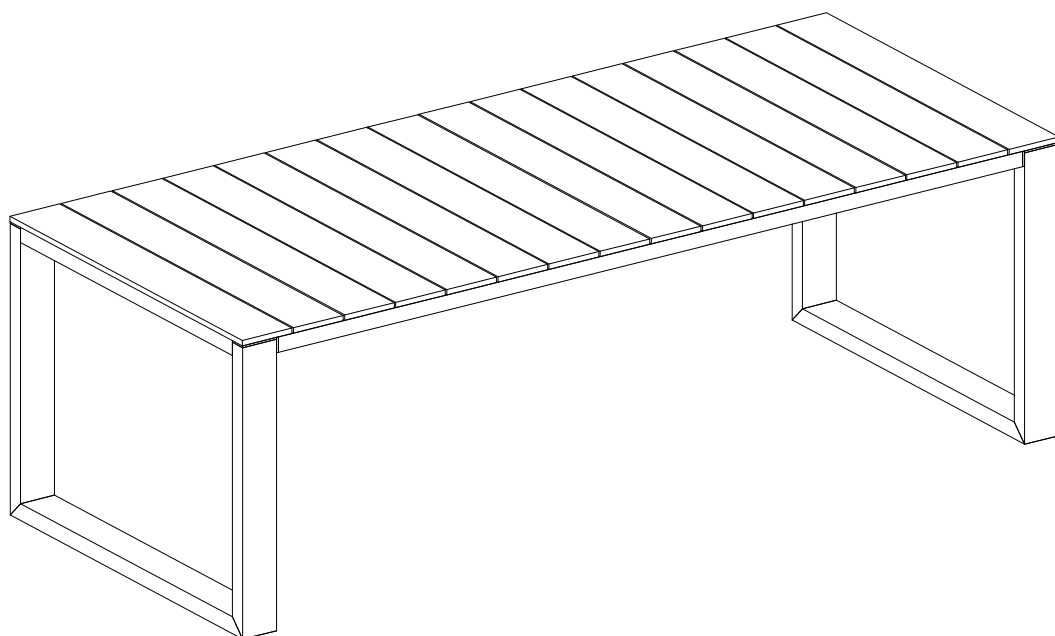
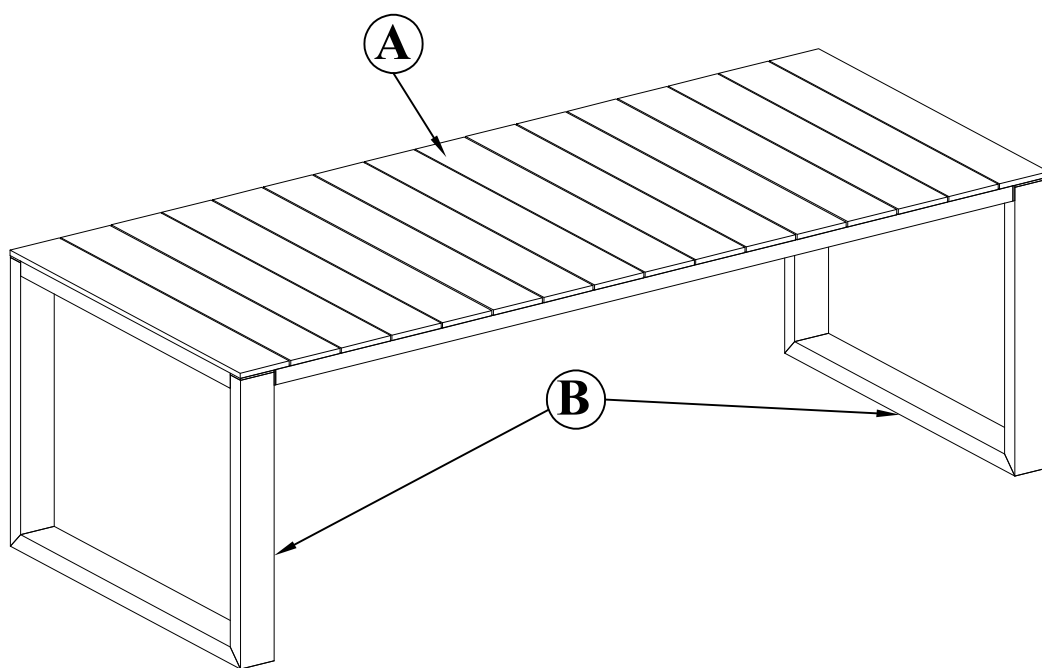
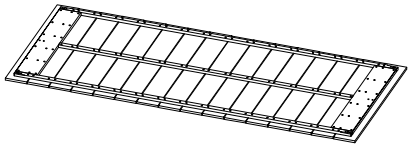
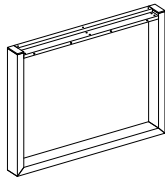
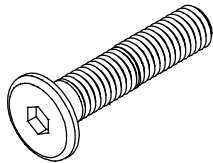
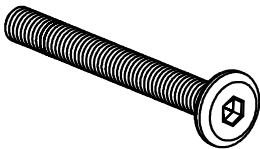
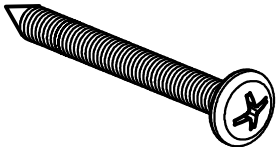


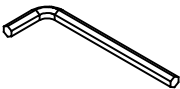


ASSEMBLY INSTRUCTION





Part List

<p>A</p>  <p>Top table (1 pc)</p>	<p>B</p>  <p>Leg table (2 pcs)</p>	<p>1</p>  <p>Bolt M8 x 60 mm (8 pcs)</p>
<p>2</p>  <p>Bolt M6 x 35 mm (12 pcs)</p>	<p>3</p>  <p>Rivets M4 x 50 mm (6 pcs)</p>	<p>4</p>  <p>Washer Ø16xØ6x1 (12 pcs)</p>
<p>5</p>  <p>Washer Ø18xØ8x1 (8 pcs)</p>	<p>6</p>  <p>Allen key M4 (1 pcs)</p>	

