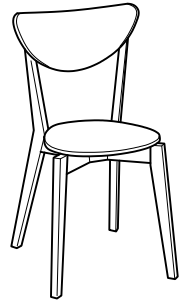


# ASSEMBLY INSTRUCTION

MODEL : DINA CHAIR



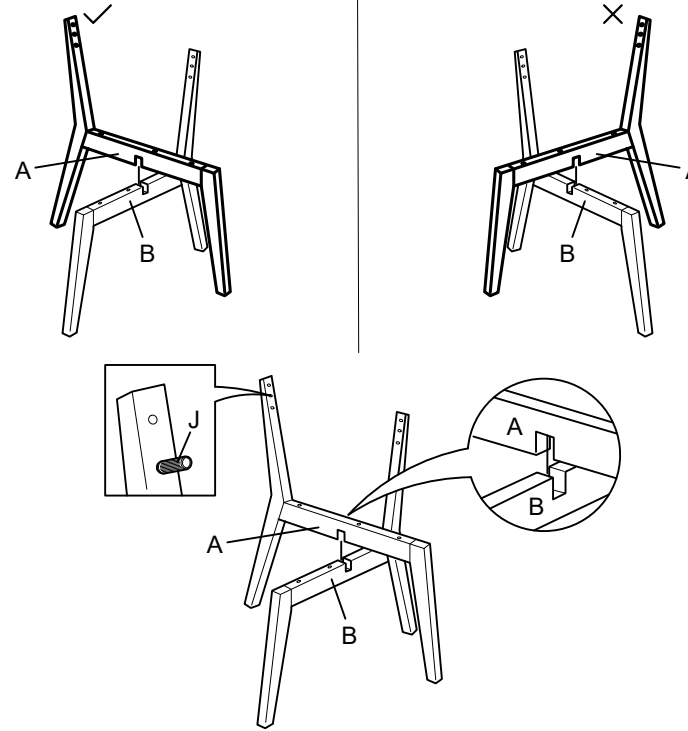
## PART LIST

NO	DESCRIPTION	QTY
A	FRAME LEG (A)	1 PC
B	FRAME LEG (B)	1 PC
C	SEAT	1 PC
D	BACKREST	1 PC
E	SEAT SUPPORT	4 PCS

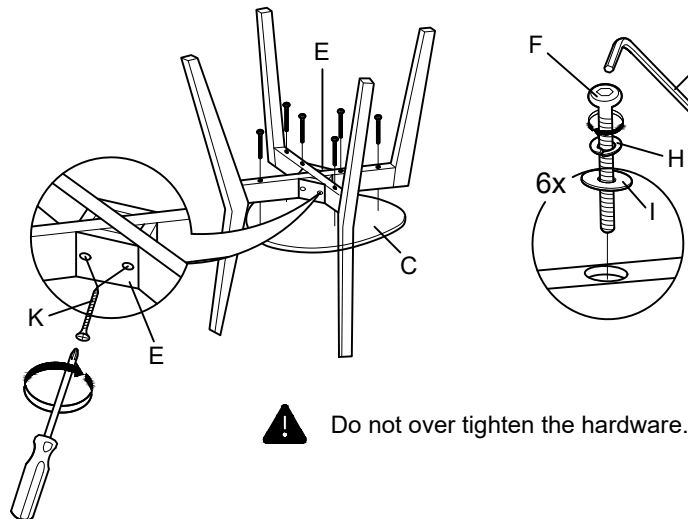
## HARDWARE LIST

NO	DESCRIPTION	QTY
F	JCBC M6 x 50MM	6 PCS
G	JCBC M6 x 25MM	4 PCS
H	SPRING WASHER M6	10 PCS
I	FLAT WASHER M6	10 PCS
J	WOOD DOWEL	2 PCS
K	CSK M4 x 25MM	8 PCS
L	ALLEN KEY M4 x 110MM	1 PC
M	WOOD BUTTON	4 PCS

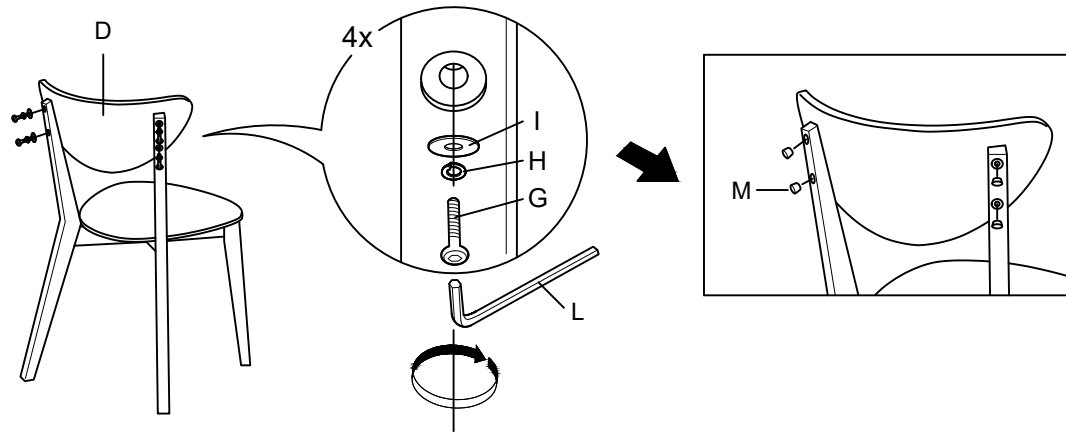
## STEP 1




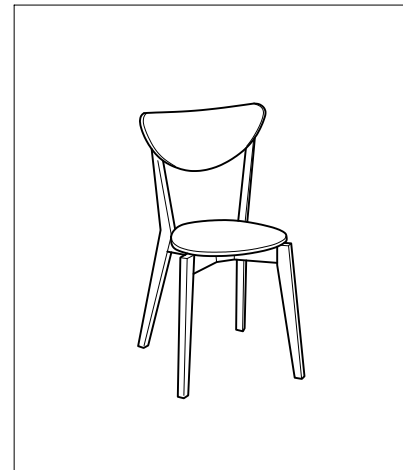
## STEP 2



### STEP 3



 Double check all installed hardware and tighten the hardware.



#### ASSEMBLY TIPS

Remove hardware from box and sort by size to check all hardware and parts are present before assembling. Follow instructions below in the proper sequence to ensure first, easy and correct assembly.

#### WARNING !!!

DO NOT FULLY TIGHTEN ALL BOLTS UNTIL ALL PARTS ARE IN PLACE FAILURE TO FOLLOW THIS INSTRUCTION MAY CAUSE THE BOLTS TO BE MISALIGNED