

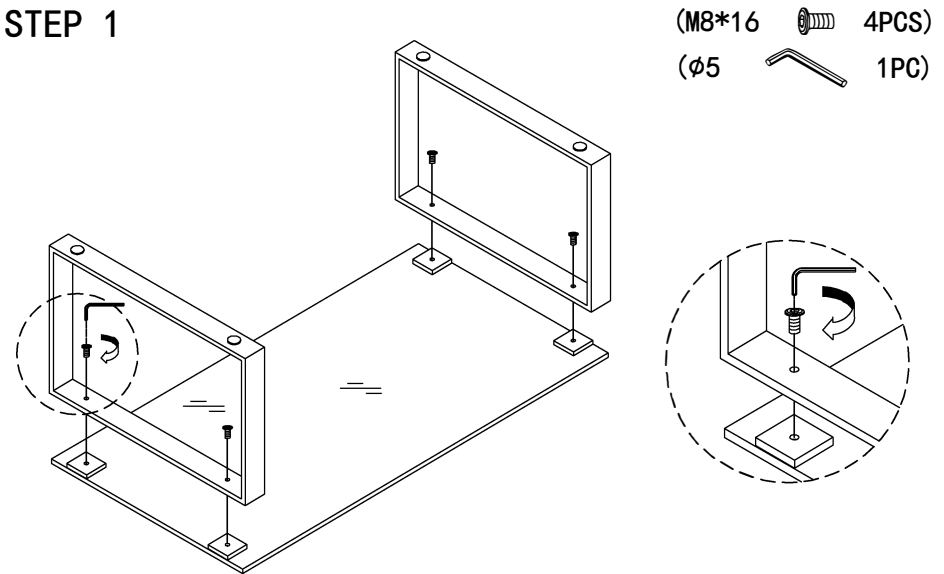


Assembly Instruction


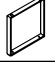

HARDWARE LIST:

PACKAGE	DESCRIPTION	PART PHOTO	QTY	PACKAGE	DESCRIPTION	PART PHOTO	QTY
2/2	SCREW (M8*16)		4PCS				
	ALLEN KEY (φ5)		1PC				

STEP 1



PART LIST:

PACKAGE	DESCRIPTION	PART PHOTO	QTY	PACKAGE	DESCRIPTION	PART PHOTO	QTY
1/2	TOP GLASS		1PC				
2/2	LEGS		2PCS				
	HARDWARE		1PC				

FINISH

