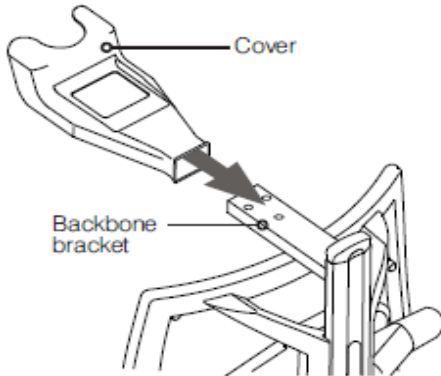
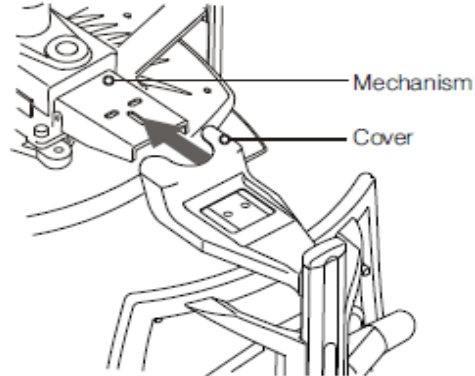


## Assembly Instructions

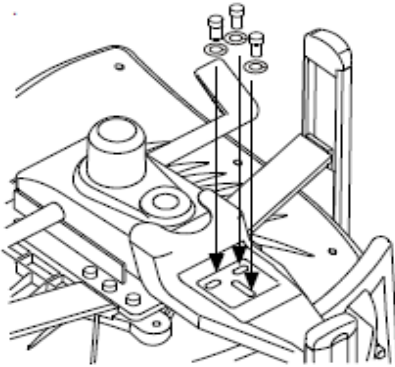
- 1** Insert plastic cover all the way over backbone bracket.



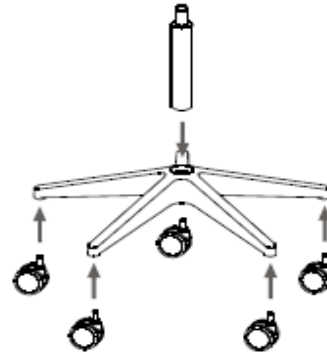
- 2** Place seat assembly upside down on a worktop. Slot backbone with plastic cover onto seat mechanism. Push all the way in to line up holes.



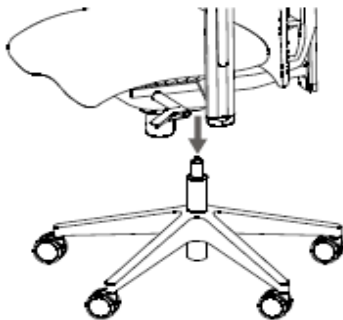
- 3** Fasten with M8 screw and spring washer at each hole.



- 4** Insert castor wheels into base. Insert gas-spring column into base.



- 5** Assemble chair by inserting gas-spring into hole at bottom of mechanism. Sit on chair to properly press-fit assembly together.



- 6** Assemble the headrest by fasten the two screws.

