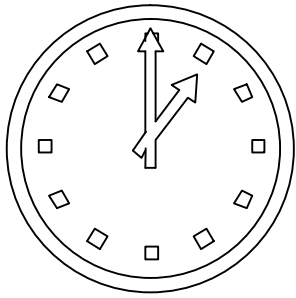


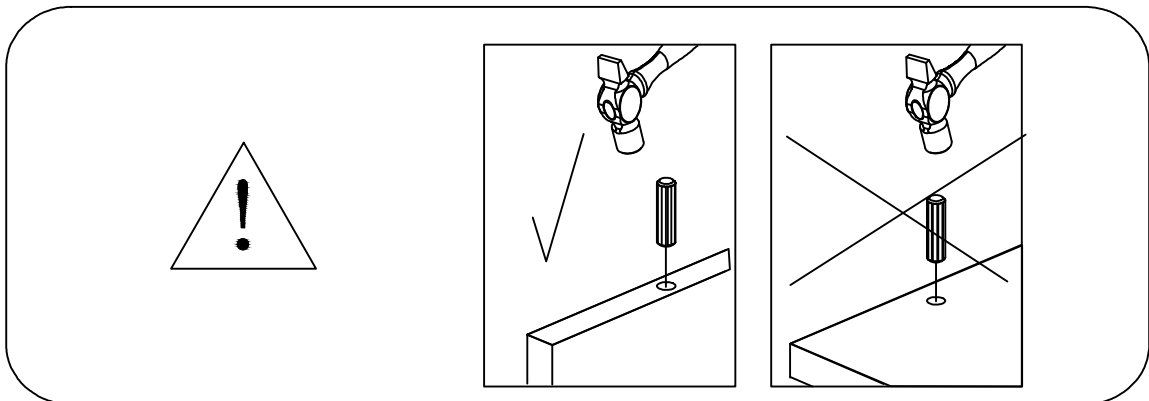
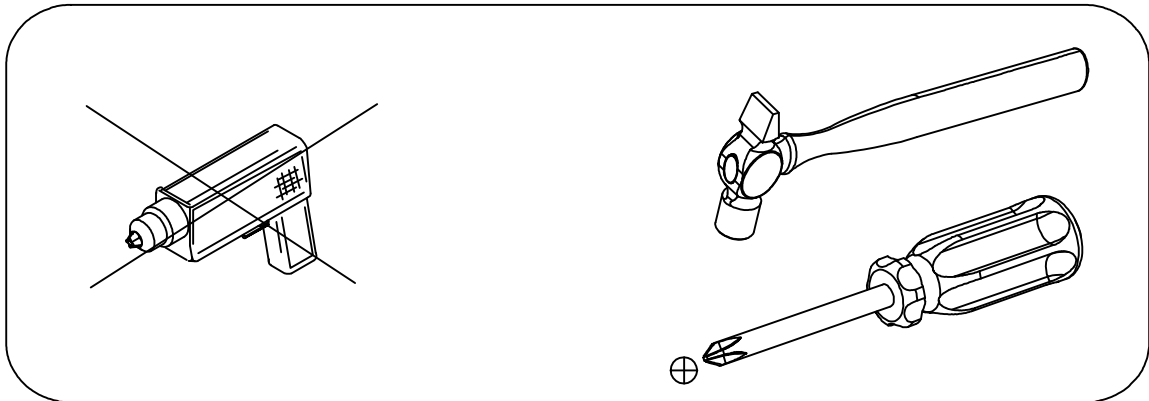
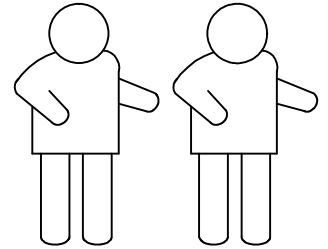
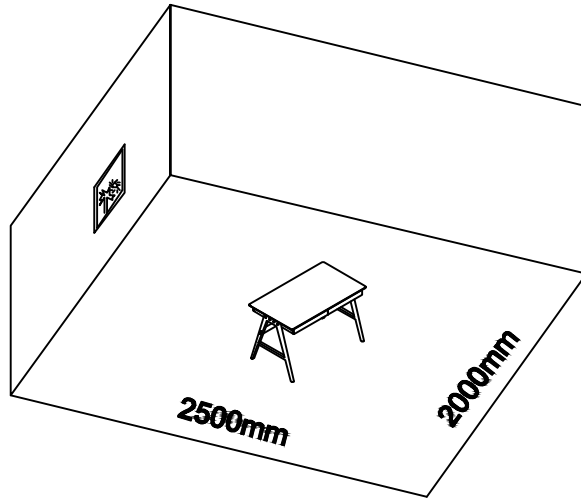
Assembly Instructions

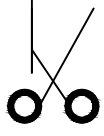
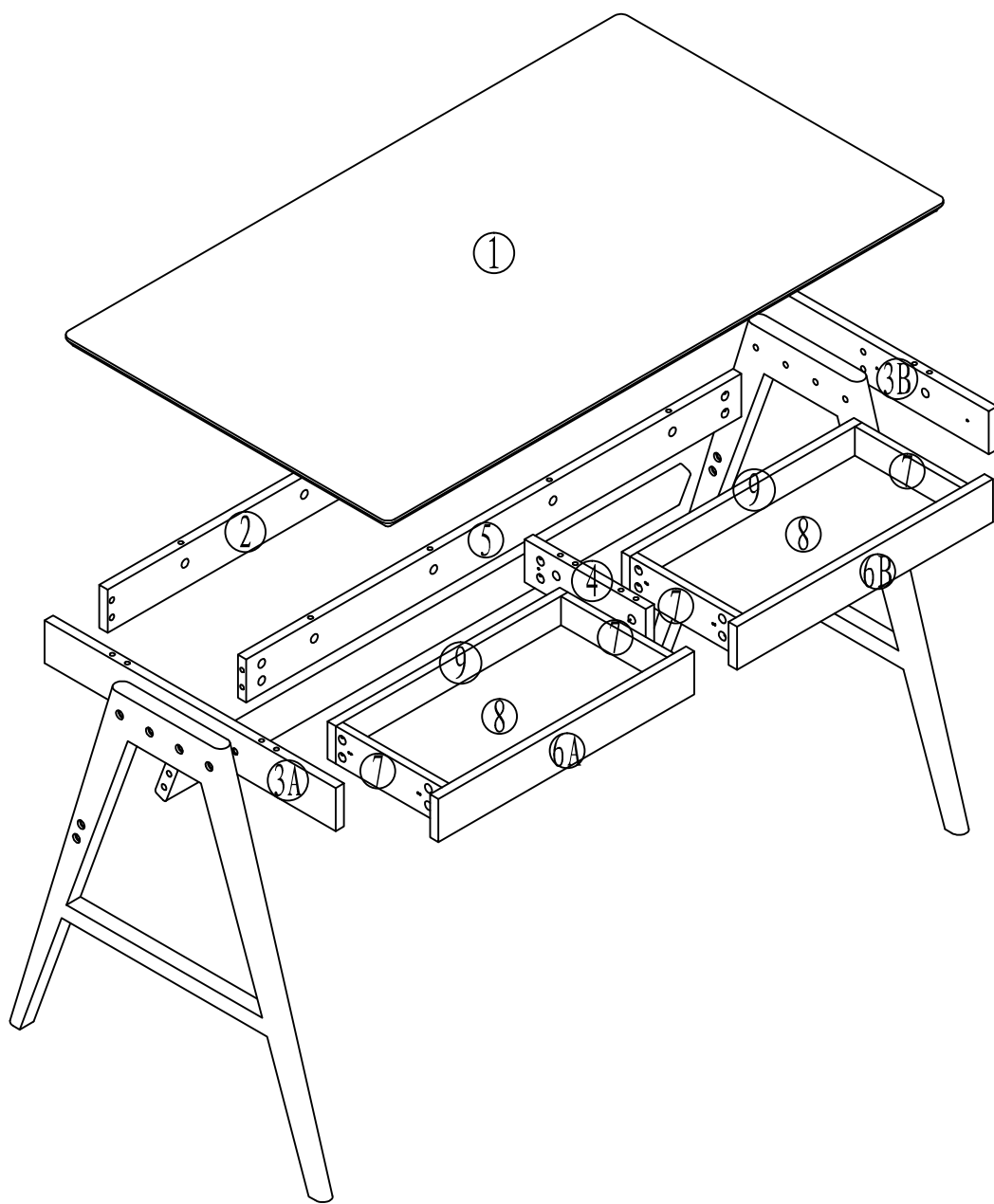
9903



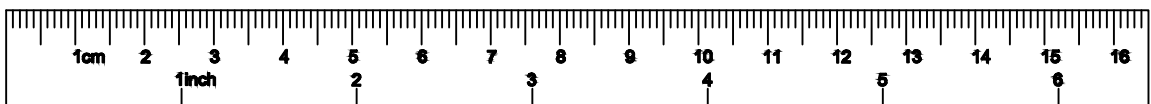
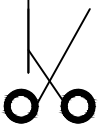


60 min





















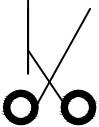
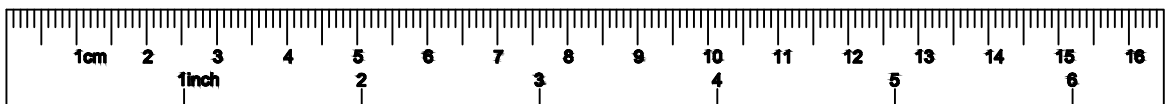


		9903
1	1	1200x700x18MM
2	1	1100x80x18MM
3A	1	624x80x18MM
3B	1	624x80x18MM
4	1	260x80x18MM
5	1	1062x80x18MM
6A	1	549x80x18MM
6B	1	549x80x18MM
7	4	232x70x18MM
8	2	472x242x5MM
9	2	498x70x18MM





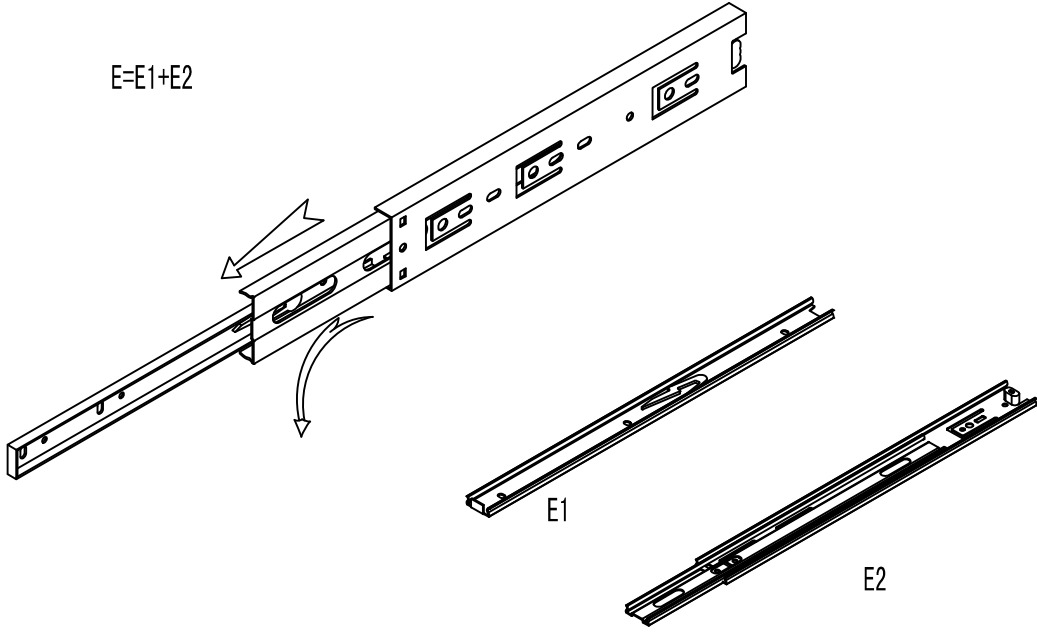
 φ 15x12 Ax24	 M6x35 Bx24	 φ 8x40 Cx6	 M3.5x15 Dx16
 240mm Ex4	 φ12x12 Fx16	 M8x60 Gx4	 φ14xM8x1 Hx4
 M8 Ix4	 M6x40 Jx8	 φ 12x1xM6 Kx8	 M6 Lx8
 5# Mx1	 732x680x30 Nx2	 1100x80x25 Ox1	 Px4
 M6x24 Qx16	 4# Rx1		



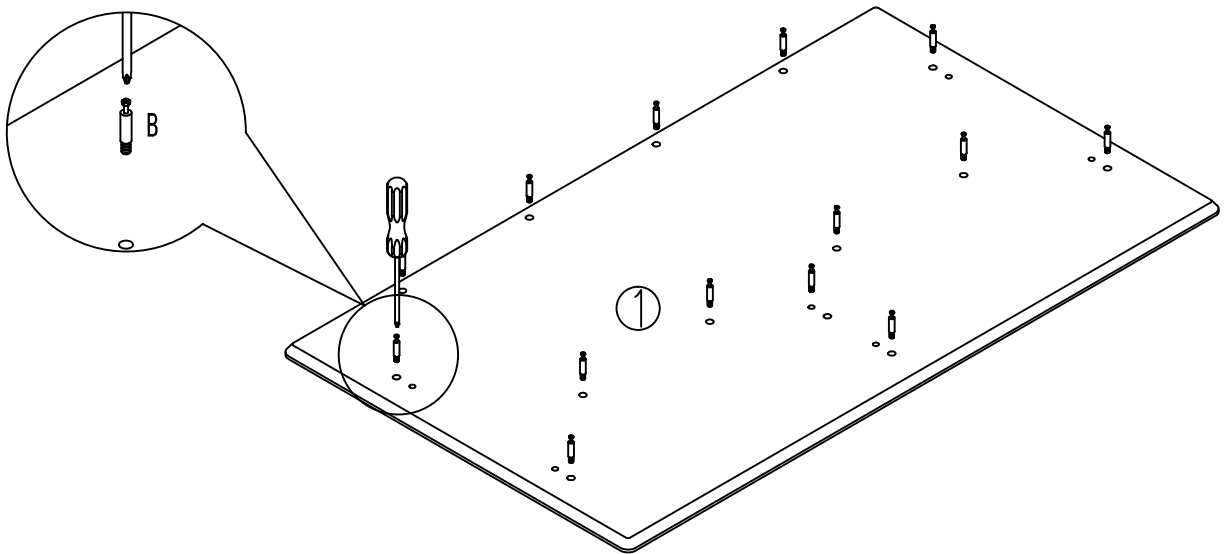
1



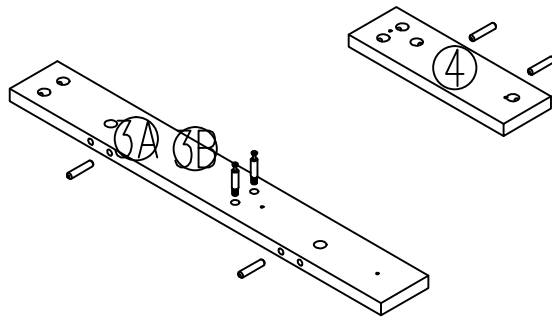
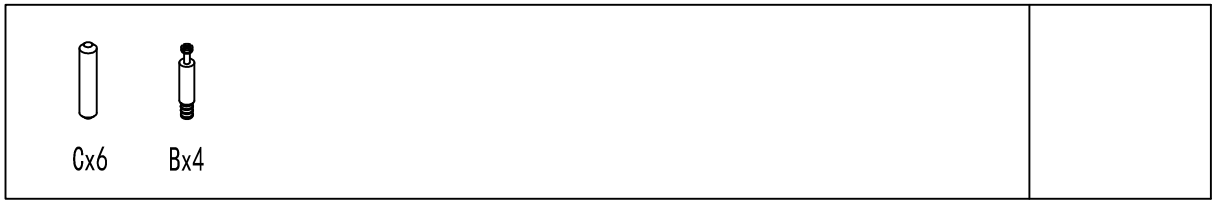
$E=E1+E2$



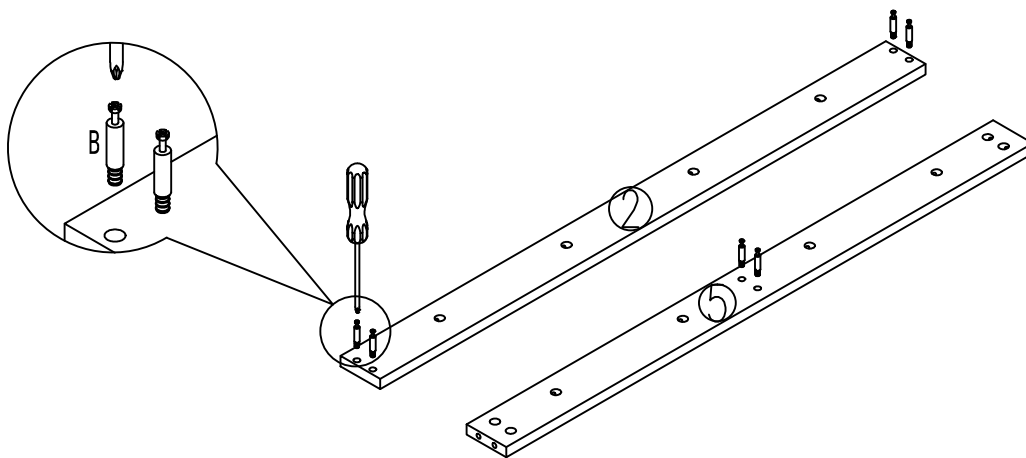
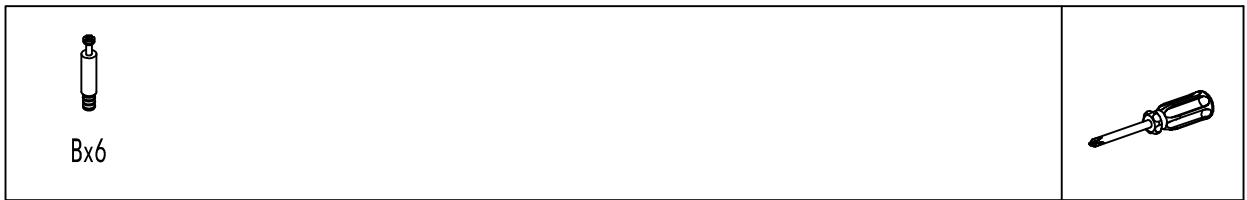
2



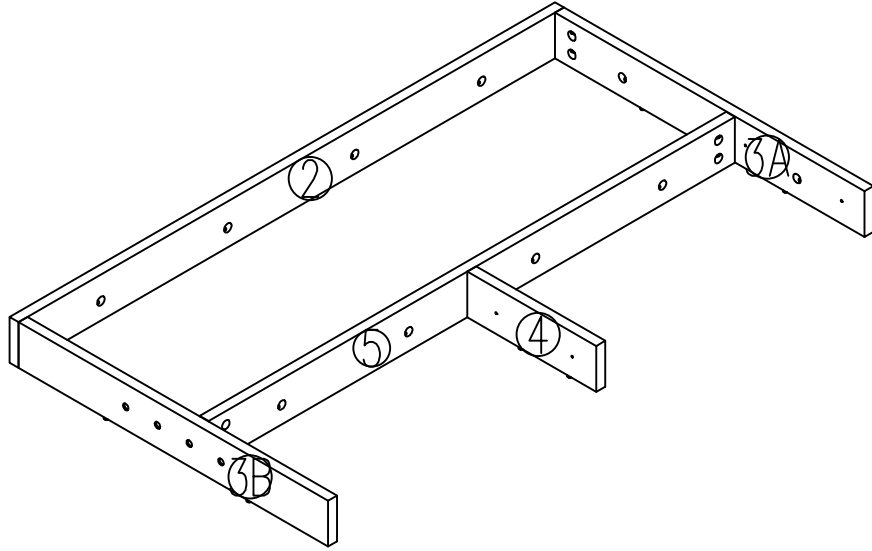
3



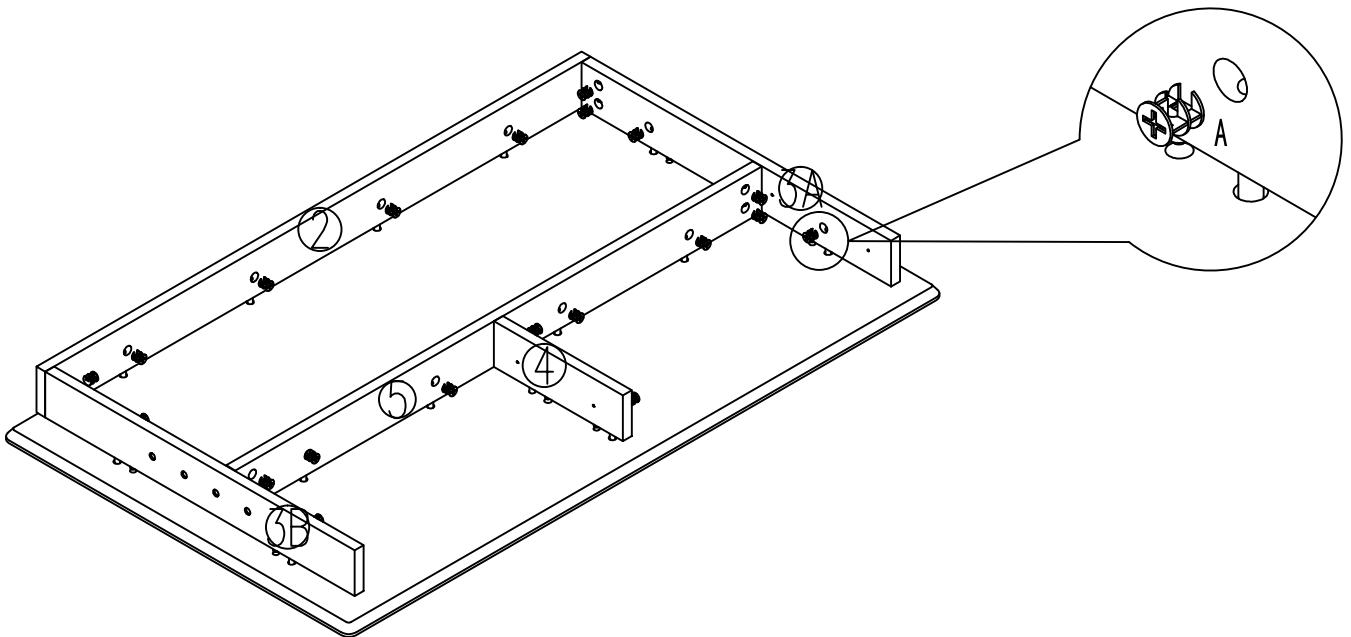
4



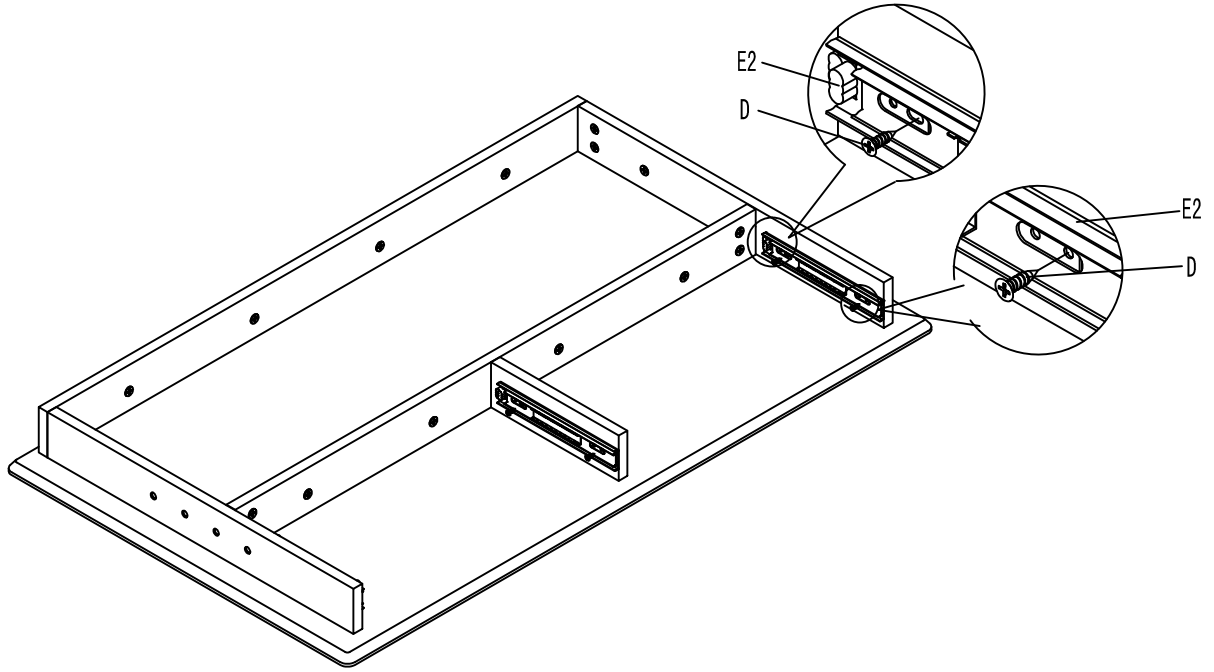
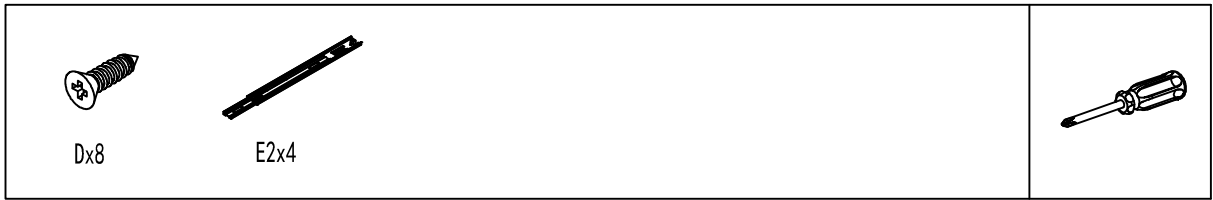
5



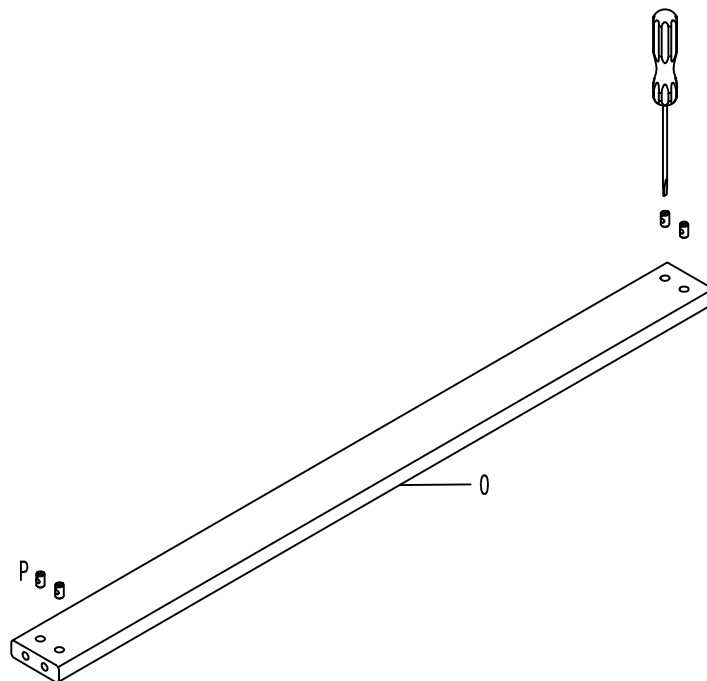
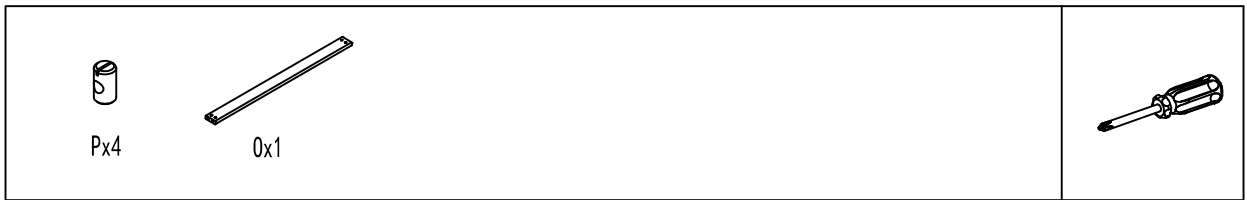
6



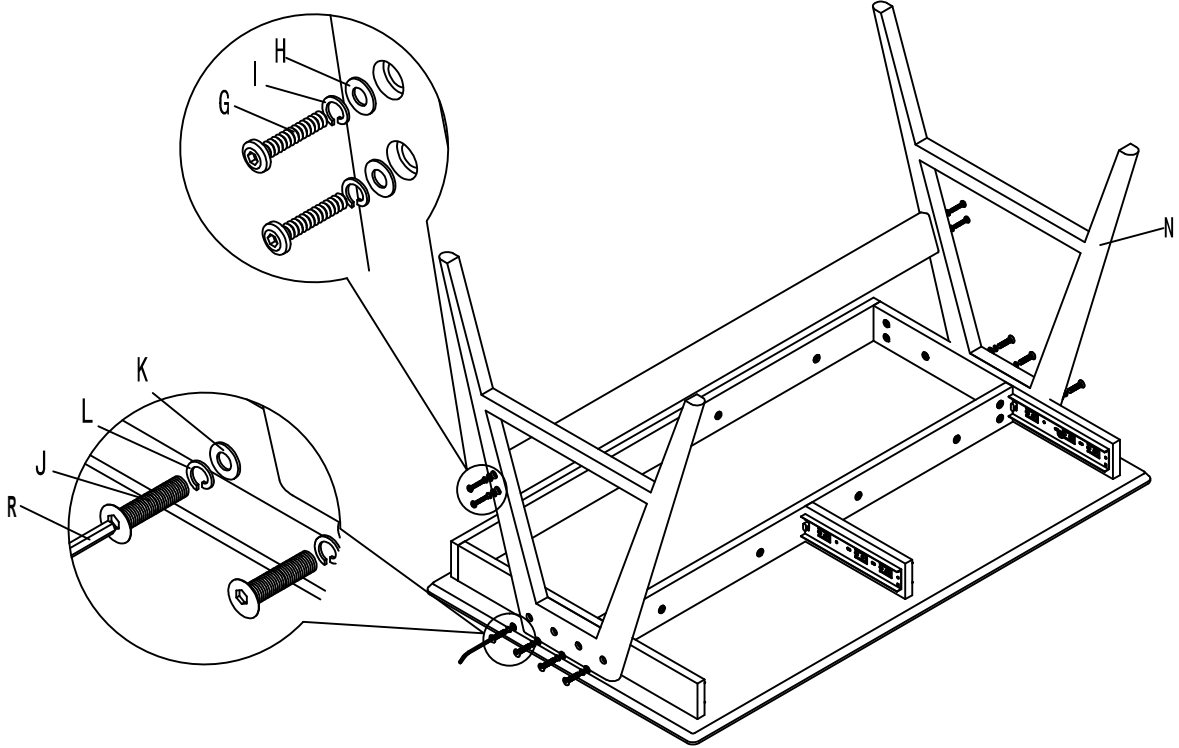
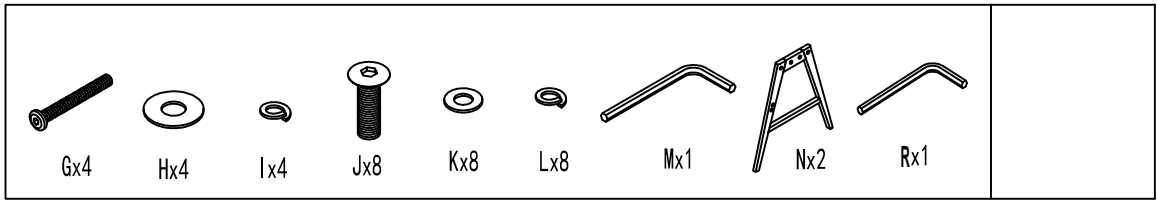
7



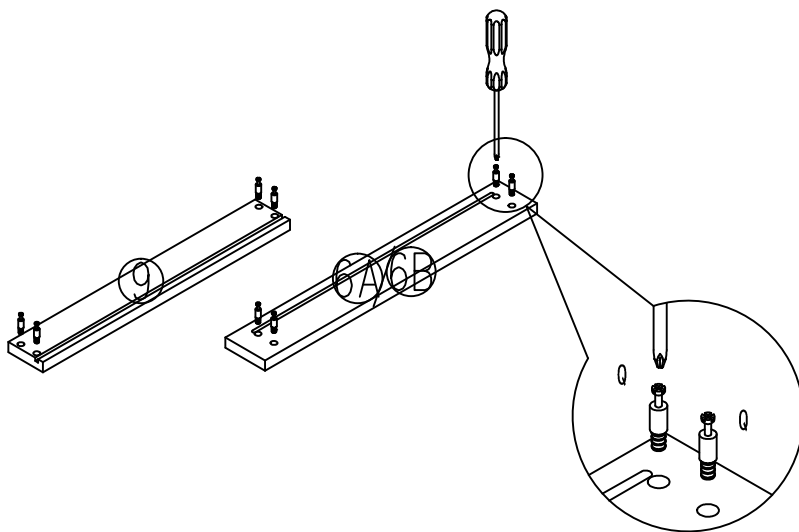
8



9



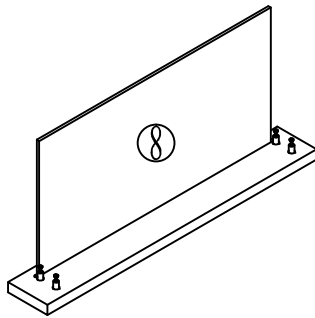
10



x2

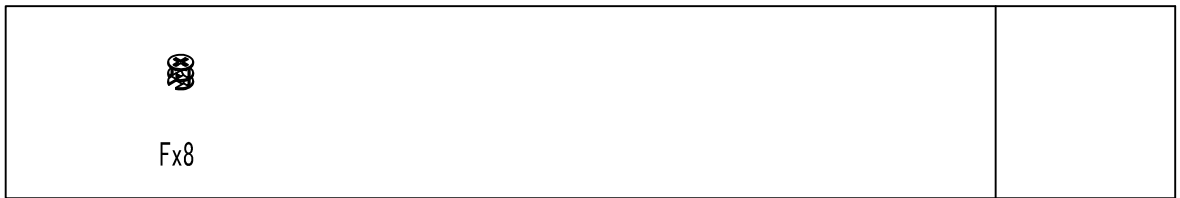
10-13

11

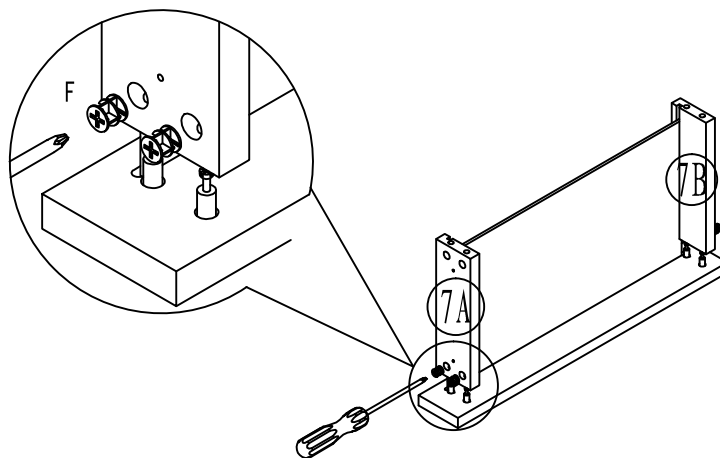


x2

12



Fx8

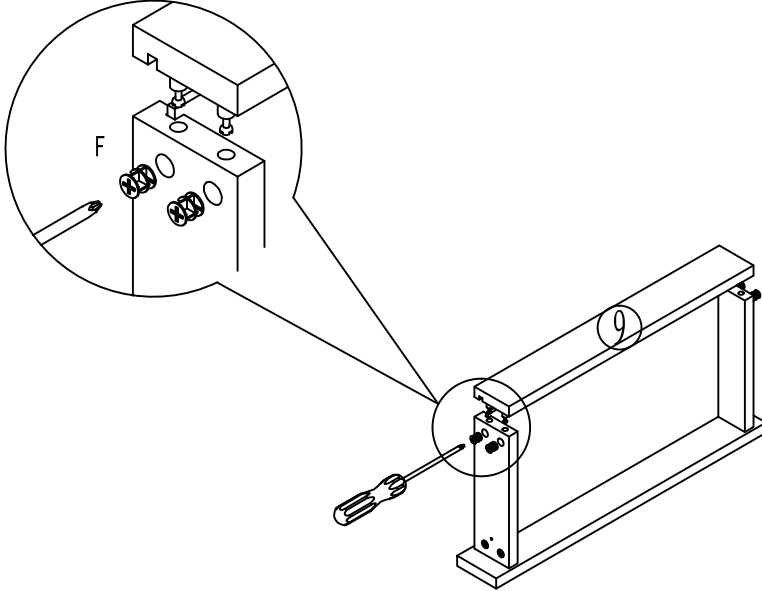


x2

13



Fx8



x2

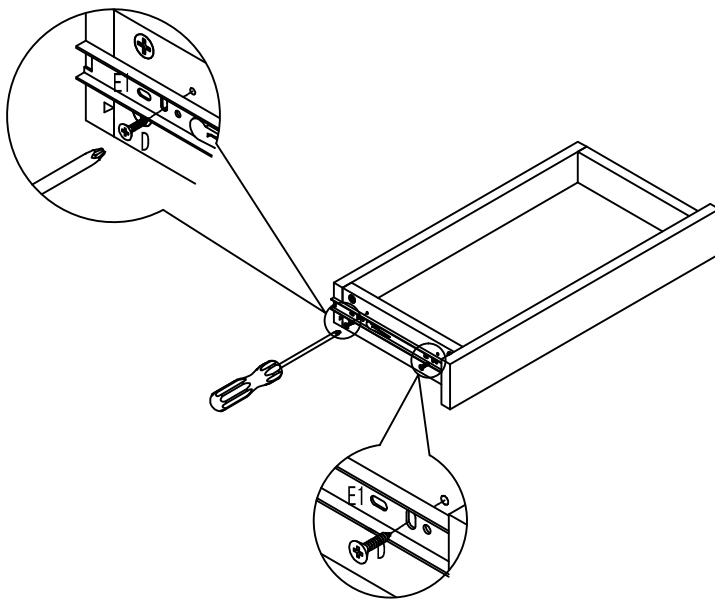
14



Dx8



E1x4



x2

12-13

15

