
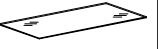




# Assembly Instruction

## HARDWARE LIST:

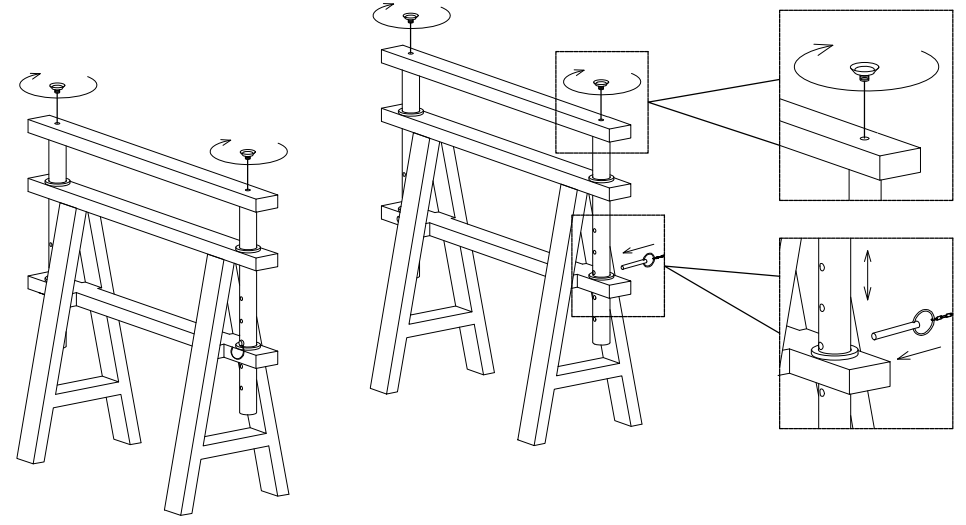
PACKAGE	DESCRIPTION	PART PHOTO	QTY	PACKAGE	DESCRIPTION	PART PHOTO	QTY
2/2	SUCKER ( 1/4" )		4PCS				

## PART LIST:

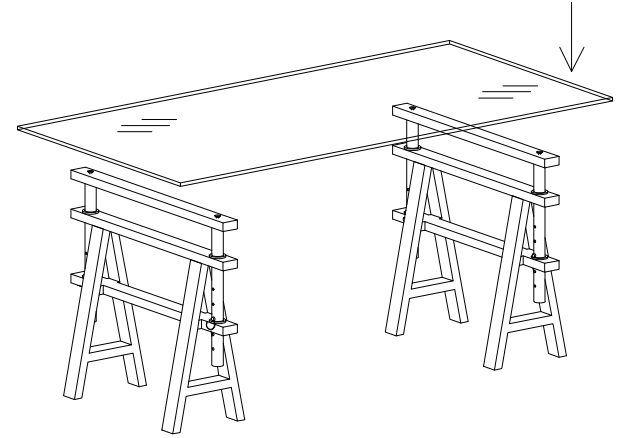
PACKAGE	DESCRIPTION	PART PHOTO	QTY	PACKAGE	DESCRIPTION	PART PHOTO	QTY
1/2	TOP GLASS		1PC				
2/2	BRANDRETH		2PCS				
	HARDWARE		1PC				

## STEP 1

( 1/4"  4PCS)



## STEP 2



## FINISH

