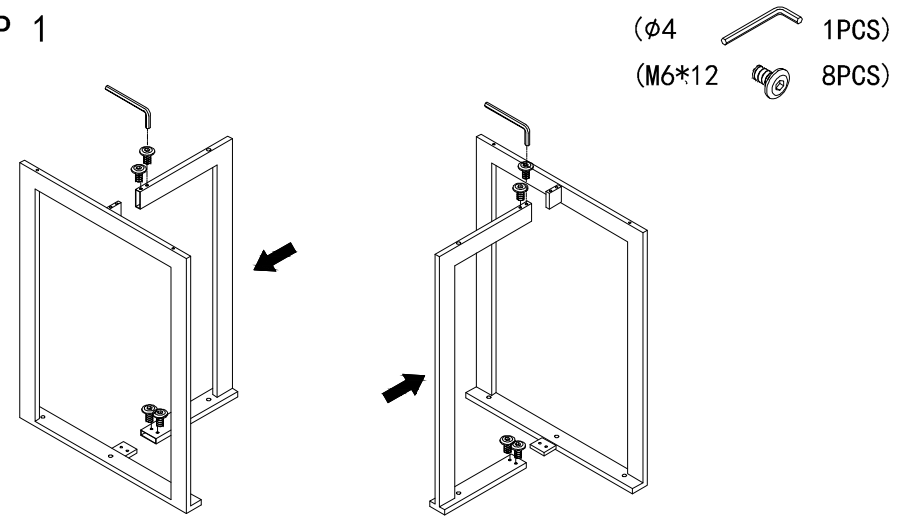



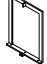


HARDWARE LIST:

PACKAGE	DESCRIPTION	PART PHOTO	QTY	PACKAGE	DESCRIPTION	PART PHOTO	QTY

STEP 1



PART LIST:

PACKAGE	DESCRIPTION	PART PHOTO	QTY	PACKAGE	DESCRIPTION	PART PHOTO	QTY
1/2	TOP		1PC				
2/2	FRAME A		2PCS				
	FRAME B		2PCS				
	HARDWARE		1PC				

STEP 2

