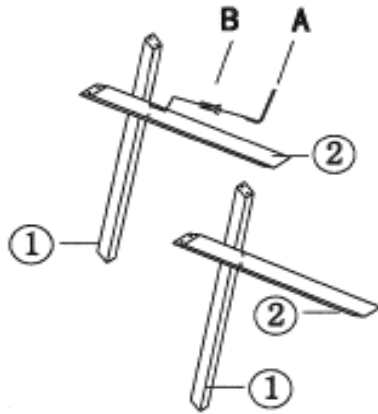
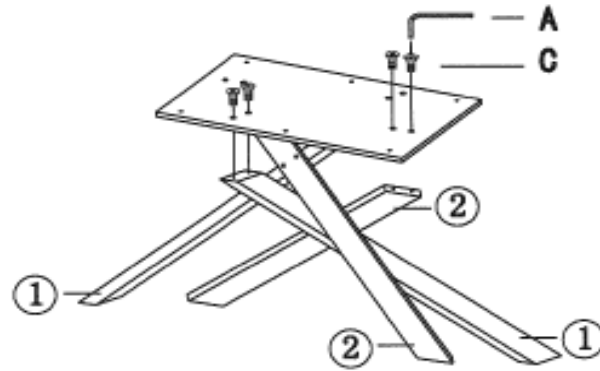


Assembly Instruction

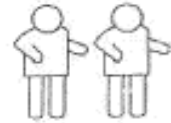
STEP 1



STEP 3

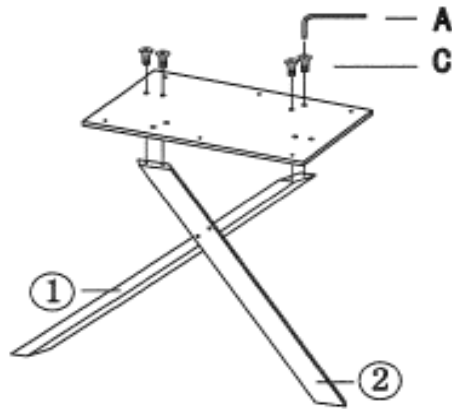


Please do not completely lock the screws at first.
Tighten all the screws at the end of the assembly.

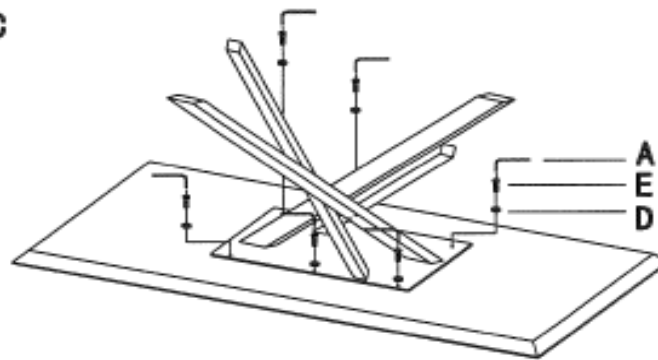


Do not move the table with table top assembled

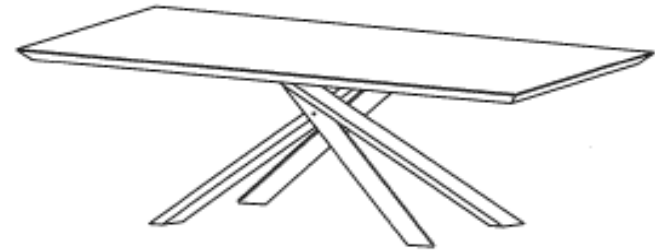
STEP 2



STEP 4



FINISHED



②			2
①			2
E	M8x20		6
D	φ8		6
C	M8x16		8
B	M8x50		4
A	5MM		1
NO.	SIZE	DIAGRAM	QTY